

Model No :: **20415-OPL**
 Name :: Daphne



Project Name :: _____
 Location :: _____
 Type :: _____
 Quantity :: _____
 Notes :: _____

Product Information	
Product ID ::	20415
UPC Code ::	641594001839
Mounting Type ::	Wall
Finish ::	0
Diffuser ::	Opal (OPL)
Alt. Finishes ::	0
Alt. Diffusers ::	Alabaster (ALB); Opal (OPL)

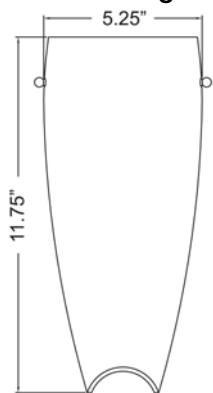
Product Dimensions		
Fixture		Canopy
Length ::	N/A	Length :: 8.5"
Width ::	5.5"	Width :: 4.25"
Diameter ::	N/A	Diameter :: N/A
Extension ::	4"	Height :: 0.5"
Height ::	11.75"	
Overall Height ::	N/A	



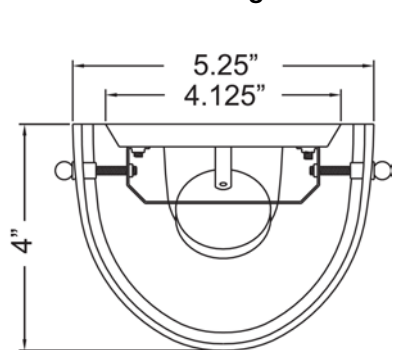
Technical Specifications

Qualifications	Specifications	Photometrics	Recommended Dimmers
Location Rating :: Damp	Frame Material :: Steel	CCT :: 2700	(TRIAC) Any Standard Dimmer
Certification :: UL Listed (US/Canada)	Diffuser Material:: Glass	CRI :: N/A	
IES File ::	Voltage :: 120v	Wattage :: 100w	
JA8 Compliant :: No	Lamping Type :: Incandescent	Nominal Lumens :: 1600Lm	
Energy Star :: No	Lamping Base :: E-26	Delivered Lumens :: N/A	
ADA Compliant :: Yes	Lamp Quantity :: 1	Additional Items :: 0	
Marine Grade :: No	Lamp Wattage :: 100 W		
Emergency Lighting :: No	Total Wattage :: 100w		
Warranty :: 1 Year Limited	Lamps Included :: No		
	J-Box Type :: Standard		

Line Drawing #1



Line Drawing #2



IES File

Image Not Available

Toll Free 800-828-5483 • www.AccessLighting.com

14410 Myford Road, Irvine, CA 92606

The information provided is subject to change without notice. ©2020 Access Lighting Corporation. All Rights Reserved
 Rev. 202004 Filename:: 20415-OPL.pdf

