

Model No :: **20375LEDMGLP-BRZ/FST**
 Name :: Nymph



Project Name :: _____
 Location :: _____
 Type :: _____
 Quantity :: _____
 Notes :: _____

Product Information

Product ID :: 20375
 UPC Code :: 641594200805
 Mounting Type :: Wall
 Finish :: Bronze (BRZ)
 Diffuser :: Frosted (FST)
 Alt. Finishes :: Bronze (BRZ); Satin (SAT)
 Alt. Diffusers :: Frosted (FST)

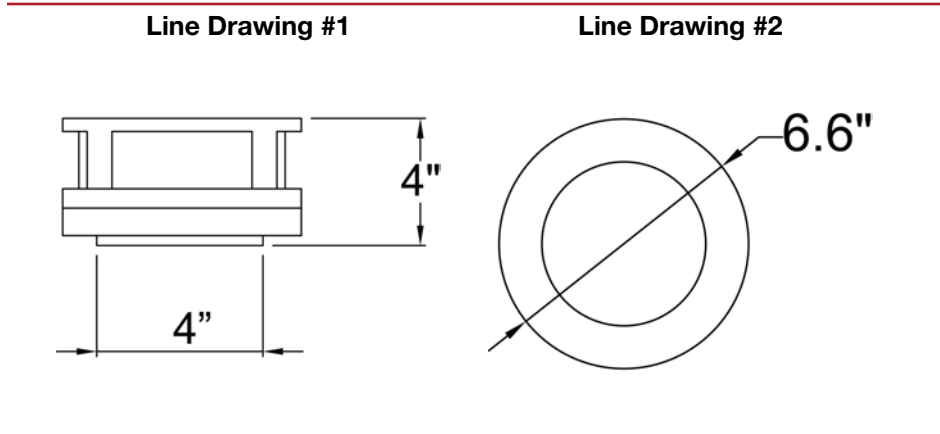
Product Dimensions

| Fixture | Canopy |
|-----------------------|-----------------|
| Length :: N/A | Length :: N/A |
| Width :: N/A | Width :: N/A |
| Diameter :: 6.75" | Diameter :: N/A |
| Extension :: 4" | Height :: 0.5" |
| Height :: N/A | |
| Overall Height :: N/A | |



Technical Specifications

| Qualifications | Specifications | Photometrics | Recommended Dimmers |
|---|---------------------------------|-------------------------|---------------------|
| Location Rating :: Wet | Frame Material :: Aluminum | CCT :: 3000 | 0 |
| Certification :: ETL Listed (US/Canada) | Diffuser Material :: Glass | CRI :: 85 | |
| IES File :: | Voltage :: 120v | Wattage :: 10w | |
| JA8 Compliant :: No | Lamping Type :: Replaceable LED | Nominal Lumens :: 800Lm | |
| Energy Star :: No | Lamping Base :: GU-24 | Delivered Lumens :: N/A | |
| ADA Compliant :: Yes | Lamp Quantity :: 1 | Additional Items :: 0 | |
| Marine Grade :: Yes | Lamp Wattage :: 10 W | | |
| Emergency Lighting :: No | Total Wattage :: 10w | | |
| Warranty :: 3 Year Limited | Lamps Included :: Yes | | |
| | J-Box Type :: Standard | | |



IES File

Image Not Available

Toll Free 800-828-5483 • www.AccessLighting.com

14410 Myford Road, Irvine, CA 92606
 The information provided is subject to change without notice. ©2020 Access Lighting Corporation. All Rights Reserved
 Rev. 202004 Filename:: 20375LEDMGLP-BRZ_FST.pdf

