

Model No :: **20364-SAT/CLR**  
 Name :: Poseidon



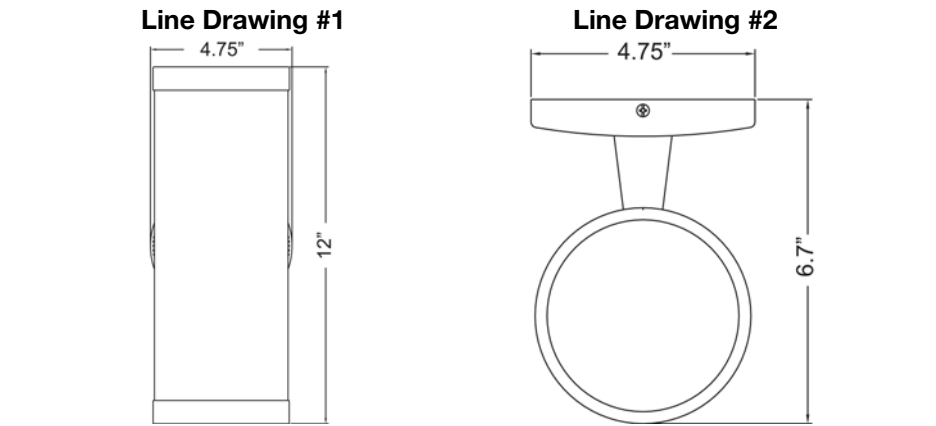
Project Name :: \_\_\_\_\_  
 Location :: \_\_\_\_\_  
 Type :: \_\_\_\_\_  
 Quantity :: \_\_\_\_\_  
 Notes :: \_\_\_\_\_

Product Information	
Product ID ::	20364
UPC Code ::	641594104318
Mounting Type ::	Wall
Finish ::	Satin (SAT)
Diffuser ::	Clear (CLR)
Alt. Finishes ::	Bronze (BRZ); Satin (SAT)
Alt. Diffusers ::	Clear (CLR)

Product Dimensions			
<b>Fixture</b>		<b>Canopy</b>	
Length ::	N/A	Length ::	N/A
Width ::	4.75"	Width ::	N/A
Diameter ::	N/A	Diameter ::	4.75"
Extension ::	7"	Height ::	0.5"
Height ::	12"		
Overall Height ::	N/A		

**Technical Specifications**

Qualifications	Specifications	Photometrics	Recommended Dimmers
Location Rating :: Wet	Frame Material :: Steel	CCT :: 2700	(TRIAC) Any Standard Dimmer
Certification :: UL Listed (US/Canada)	Diffuser Material :: Glass	CRI :: N/A	
IES File ::	Voltage :: 120v	Wattage :: 120w	
JA8 Compliant :: No	Lamping Type :: Incandescent	Nominal Lumens :: 1680Lm	
Energy Star :: No	Lamping Base :: E-26	Delivered Lumens :: N/A	
ADA Compliant :: No	Lamp Quantity :: 2	Additional Items :: Clear Glass Lens on Top	
Marine Grade :: No	Lamp Wattage :: 60 W		
Emergency Lighting :: No	Total Wattage :: 120w		
Warranty :: 1 Year Limited	Lamps Included :: No		
	J-Box Type :: Standard		



**IES File**

Image Not Available

Toll Free 800-828-5483 • [www.AccessLighting.com](http://www.AccessLighting.com)

14410 Myford Road, Irvine, CA 92606

The information provided is subject to change without notice. ©2020 Access Lighting Corporation. All Rights Reserved  
 Rev. 202004 File name: 20364-SAT\_CLR.pdf

