

Model No :: **20363LEDDL-PL-BL**
 Name :: Poseidon



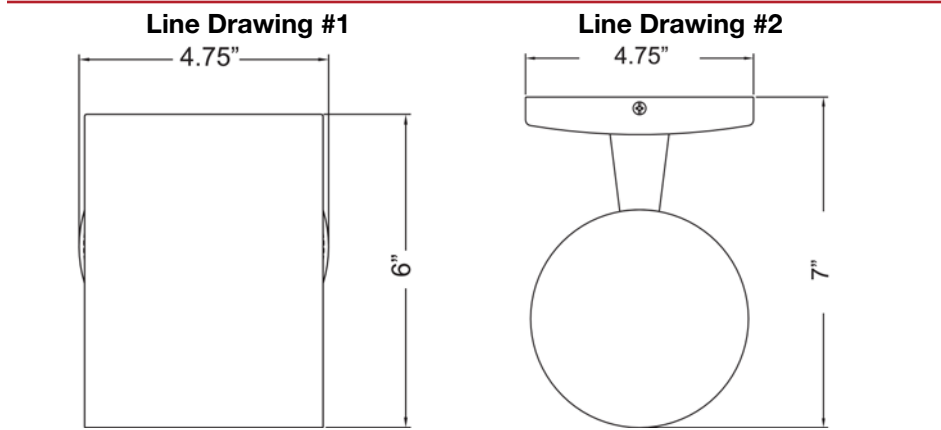
Project Name :: _____
 Location :: _____
 Type :: _____
 Quantity :: _____
 Notes :: _____

Product Information	
Product ID ::	20363
UPC Code ::	641594216516
Mounting Type ::	Wall
Finish ::	Black (BL)
Diffuser ::	0
Alt. Finishes ::	Black (BL); Bronze (BRZ); Satin (SAT)
Alt. Diffusers ::	0

Product Dimensions			
Fixture		Canopy	
Length ::	N/A	Length ::	N/A
Width ::	4.75"	Width ::	N/A
Diameter ::	N/A	Diameter ::	4.75"
Extension ::	7"	Height ::	0.5"
Height ::	6"		
Overall Height ::	N/A		

Technical Specifications

Qualifications	Specifications	Photometrics	Recommended Dimmers
Location Rating :: Wet	Frame Material :: Steel	CCT :: 3000	(ELV) LUTRON Skylark SELV-300P; (MLV) COOPER Aspire 9530SW; (TRIAC) LEGRAND Titan CD703-PW
Certification :: UL Listed (US/Canada)	Diffuser Material :: 0	CRI :: 90	
IES File ::	Voltage :: 120v	Wattage :: 10w	
JA8 Compliant :: No	Lamping Type :: Replaceable LED	Nominal Lumens :: 800Lm	
Energy Star :: No	Lamping Base :: E-26	Delivered Lumens :: N/A	
ADA Compliant :: No	Lamp Quantity :: 1		
Marine Grade :: No	Lamp Wattage :: 10 W		
Emergency Lighting :: No	Total Wattage :: 10w		
Warranty :: 1 Year Limited	Lamps Included :: Yes		
	J-Box Type :: Standard		
		Additional Items :: Not open at the top	



IES File

Image Not Available

Toll Free 800-828-5483 • www.AccessLighting.com

14410 Myford Road, Irvine, CA 92606

The information provided is subject to change without notice. ©2020 Access Lighting Corporation. All Rights Reserved
 Rev. 202004 Filename:: 20363LEDDL-PL-BL.pdf

