

Model No :: **20360-BRZ/OPL**
 Name :: EOS



Project Name :: _____
 Location :: _____
 Type :: _____
 Quantity :: _____
 Notes :: _____

Product Information

Product ID :: 20360
 UPC Code :: 641594192230
 Mounting Type :: Wall
 Finish :: Bronze (BRZ)
 Diffuser :: Opal (OPL)
 Alt. Finishes :: Bronze (BRZ)
 Alt. Diffusers :: Opal (OPL)

Product Dimensions

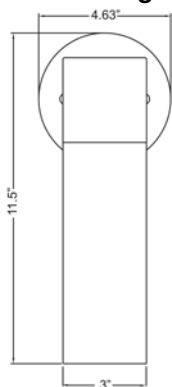
| Fixture | Canopy |
|-----------------------|-----------------|
| Length :: N/A | Length :: N/A |
| Width :: N/A | Width :: N/A |
| Diameter :: 3" | Diameter :: N/A |
| Extension :: 4.5" | Height :: N/A |
| Height :: 11.5" | |
| Overall Height :: N/A | |



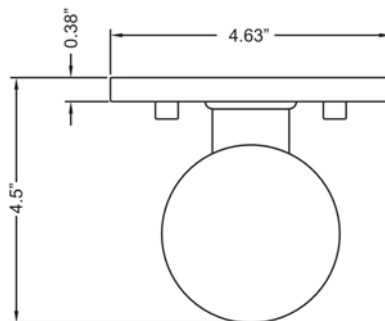
Technical Specifications

| Qualifications | Specifications | Photometrics | Recommended Dimmers |
|--|------------------------------|-------------------------|-----------------------------|
| Location Rating :: Wet | Frame Material :: Aluminum | CCT :: 2700 | (TRIAC) Any Standard Dimmer |
| Certification :: UL Listed (US/Canada) | Diffuser Material :: Glass | CRI :: N/A | |
| IES File :: | Voltage :: 120v | Wattage :: 60w | |
| JA8 Compliant :: No | Lamping Type :: Incandescent | Nominal Lumens :: 800Lm | |
| Energy Star :: No | Lamping Base :: E-26 | Delivered Lumens :: N/A | |
| ADA Compliant :: No | Lamp Quantity :: 1 | Additional Items :: 0 | |
| Marine Grade :: No | Lamp Wattage :: 60 W | | |
| Emergency Lighting :: No | Total Wattage :: 60w | | |
| Warranty :: 1 Year Limited | Lamps Included :: No | | |
| | J-Box Type :: Standard | | |

Line Drawing #1



Line Drawing #2



IES File

Image Not Available

Toll Free 800-828-5483 • www.AccessLighting.com

14410 Myford Road, Irvine, CA 92606

The information provided is subject to change without notice. ©2020 Access Lighting Corporation. All Rights Reserved
 Rev. 202004 Filename:: 20360-BRZ-OPL.pdf

