

Model No :: **20355LEDSWACDMG-SAT/FST**
 Name :: Oceanus



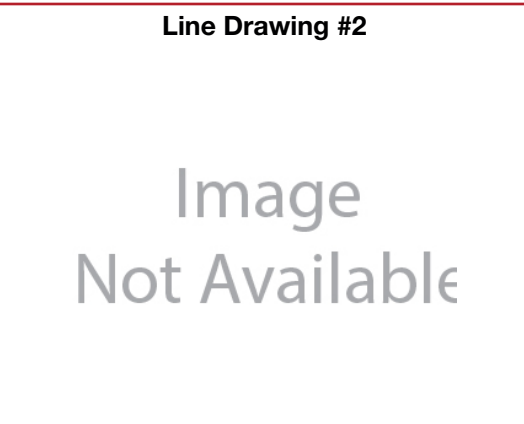
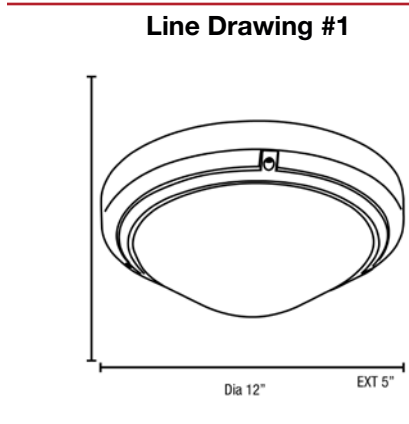
Project Name :: _____
 Location :: _____
 Type :: _____
 Quantity :: _____
 Notes :: _____

Product Information	
Product ID ::	20355
UPC Code ::	641594227550
Mounting Type ::	Ceiling
Finish ::	Satin
Diffuser ::	Frosted
Alt. Finishes ::	
Alt. Diffusers ::	

Product Dimensions	
Fixture	Canopy
Length ::	Length :: 4.75
Width ::	Width :: 4.75
Diameter :: 12	Diameter ::
Extension :: 5.5	Height ::
Height ::	
Overall Height ::	

Technical Specifications

Qualifications	Specifications	Photometrics	Recommended Dimmers
Location Rating :: Wet	Frame Material :: Aluminum	CCT :: 2000-	
Certification :: N/A	Diffuser Material :: Glass	CRI ::	
IES File ::	Voltage :: 100-240v	Wattage :: 25 W	
JA8 Compliant :: No	Lamping Type :: LED SSL (DLED)	Nominal Lumens ::	
Energy Star :: No	Lamping Base :: Smart SSL	Delivered Lumens ::	
ADA Compliant :: No	Lamp Quantity :: 1	Additional Items ::	
Marine Grade :: No	Lamp Wattage :: 25 W		
Emergency Lighting :: No	Total Wattage :: 25 W		
Warranty :: 1 Year Limited	Lamps Included :: Yes		
	J-Box Type :: Standard		



Toll Free 800-828-5483 • www.AccessLighting.com

14410 Myford Road, Irvine, CA 92606
 The information provided is subject to change without notice. ©2020 Access Lighting Corporation. All Rights Reserved
 Rev. 202105 Filename:: 20355LEDSWACDMG-SAT_FST.pdf

