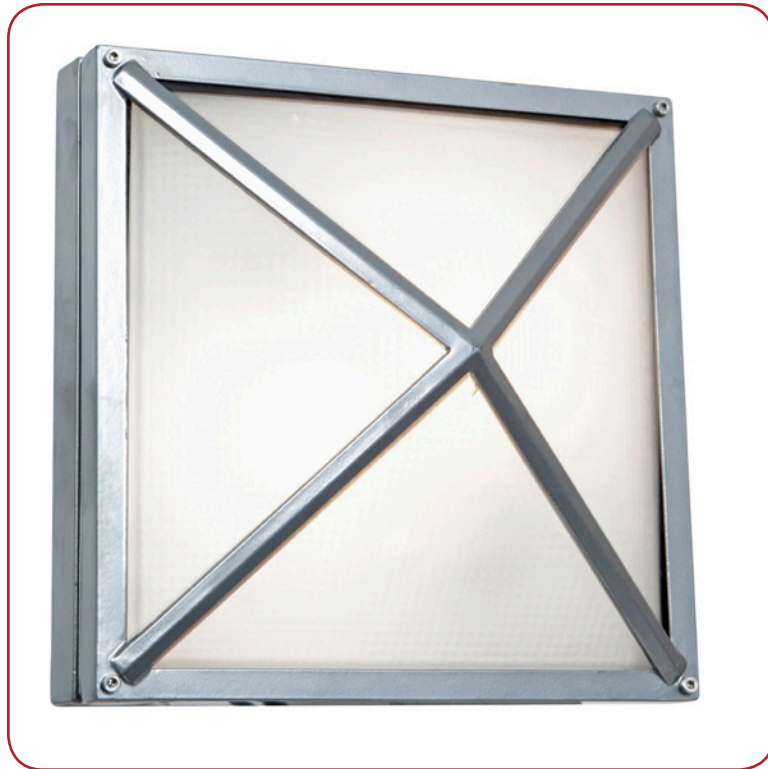


Model No :: **20330LEDDMGLP-SAT/FST**  
 Name :: Oden



Project Name :: \_\_\_\_\_  
 Location :: \_\_\_\_\_  
 Type :: \_\_\_\_\_  
 Quantity :: \_\_\_\_\_  
 Notes :: \_\_\_\_\_

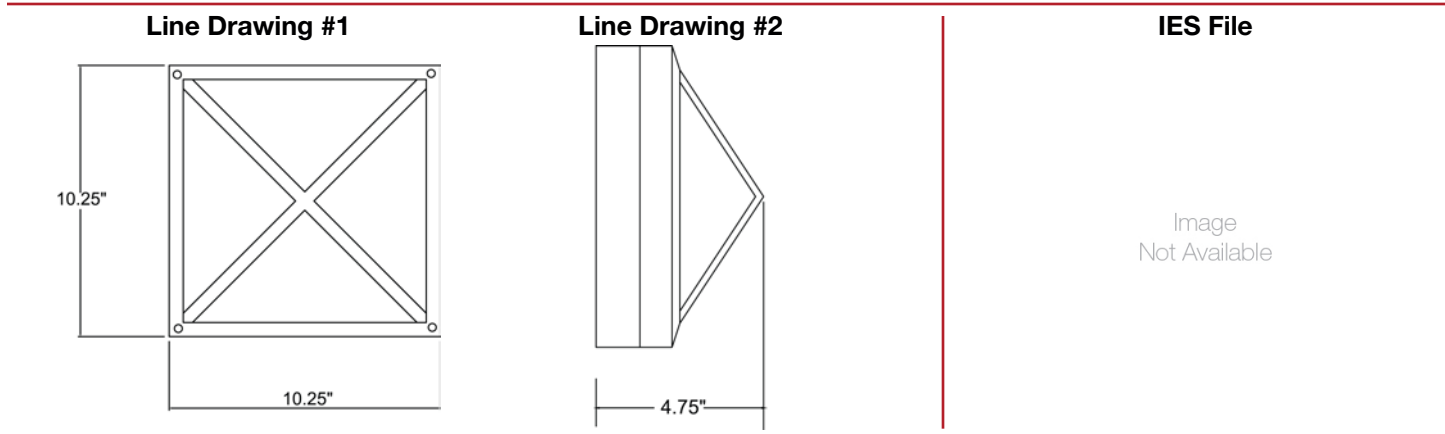
Product Information	
Product ID ::	20330
UPC Code ::	641594218367
Mounting Type ::	Wall
Finish ::	Satin (SAT)
Diffuser ::	Frosted (FST)
Alt. Finishes ::	Black (BL); Satin (SAT)
Alt. Diffusers ::	Frosted (FST)

Product Dimensions			
<b>Fixture</b>		<b>Canopy</b>	
Length ::	10.25"	Length ::	10.25"
Width ::	10.25"	Width ::	10.25"
Diameter ::	N/A	Diameter ::	N/A
Extension ::	4.75"	Height ::	1.25"
Height ::	N/A		
Overall Height ::	N/A		



**Technical Specifications**

Qualifications	Specifications	Photometrics	Recommended Dimmers
Location Rating :: Wet	Frame Material :: Aluminum	CCT :: 3000	(ELV) LUTRON Skylark SELV-300P; (MLV) COOPER Aspire 9530SW; (TRIAC) LEGRAND Titan CD703-PW
Certification :: ETL Listed (US/Canada)	Diffuser Material :: Glass	CRI :: 80	
IES File ::	Voltage :: 120v	Wattage :: 18w	
JA8 Compliant :: No	Lamping Type :: Replaceable LED	Nominal Lumens :: 1600Lm	
Energy Star :: No	Lamping Base :: E-26	Delivered Lumens :: N/A	
ADA Compliant :: No	Lamp Quantity :: 2	Additional Items :: 0	
Marine Grade :: Yes	Lamp Wattage :: 9 W		
Emergency Lighting :: No	Total Wattage :: 18w		
Warranty :: 3 Year Limited	Lamps Included :: Yes		
	J-Box Type :: Standard		



**Toll Free 800-828-5483 • www.AccessLighting.com**

14410 Myford Road, Irvine, CA 92606  
 The information provided is subject to change without notice. ©2020 Access Lighting Corporation. All Rights Reserved  
 Rev. 202004 Filename: 20330LEDDMGLP-SAT\_FST.pdf

