

Model No :: **20330LEDDMGLP-BL/FST**
 Name :: Oden



Project Name :: _____
 Location :: _____
 Type :: _____
 Quantity :: _____
 Notes :: _____

Product Information

Product ID :: 20330
 UPC Code :: 641594218398
 Mounting Type :: Wall
 Finish :: Black (BL)
 Diffuser :: Frosted (FST)
 Alt. Finishes :: Black (BL); Satin (SAT)
 Alt. Diffusers :: Frosted (FST)

Product Dimensions

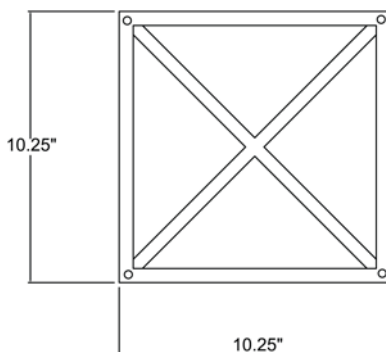
Fixture		Canopy
Length ::	10.25"	Length :: 10.25"
Width ::	10.25"	Width :: 10.25"
Diameter ::	N/A	Diameter :: N/A
Extension ::	4.75"	Height :: 1.25"
Height ::	N/A	
Overall Height ::	N/A	



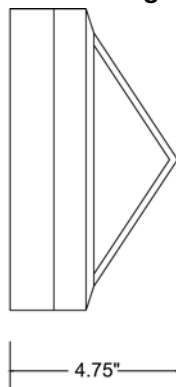
Technical Specifications

Qualifications	Specifications	Photometrics	Recommended Dimmers
Location Rating :: Wet	Frame Material :: Aluminum	CCT :: 3000	(ELV) LUTRON Skylark SELV-300P; (MLV) COOPER Aspire 9530SW; (TRIAC) LEGRAND Titan CD703-PW
Certification :: ETL Listed (US/Canada)	Diffuser Material :: Glass	CRI :: 80	
IES File ::	Voltage :: 120v	Wattage :: 18w	
JA8 Compliant :: No	Lamping Type :: Replaceable LED	Nominal Lumens :: 1600Lm	
Energy Star :: No	Lamping Base :: E-26	Delivered Lumens :: N/A	
ADA Compliant :: No	Lamp Quantity :: 2	Additional Items :: 0	
Marine Grade :: Yes	Lamp Wattage :: 9 W		
Emergency Lighting :: No	Total Wattage :: 18w		
Warranty :: 3 Year Limited	Lamps Included :: Yes		
	J-Box Type :: Standard		

Line Drawing #1



Line Drawing #2



IES File

Image Not Available

Toll Free 800-828-5483 • www.AccessLighting.com

14410 Myford Road, Irvine, CA 92606

The information provided is subject to change without notice. ©2020 Access Lighting Corporation. All Rights Reserved
 Rev. 202004 Filename:: 20330LEDDMGLP-BL_FST.pdf

