

Model No :: **20302MG-BL/RFR**
 Name :: Poseidon



Project Name :: _____
 Location :: _____
 Type :: _____
 Quantity :: _____
 Notes :: _____

Product Information

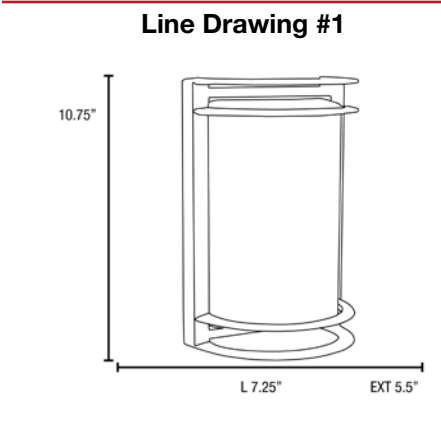
Product ID :: 20302
 UPC Code :: 641594192773
 Mounting Type :: Wall
 Finish :: Black
 Diffuser :: Ribbed Frosted
 Alt. Finishes ::
 Alt. Diffusers ::

Product Dimensions

Fixture		Canopy	
Length ::	7.25	Length ::	4.75
Width ::		Width ::	4.75
Diameter ::		Diameter ::	
Extension ::	5.5	Height ::	0.5
Height ::	10.75		
Overall Height ::			

Technical Specifications

Qualifications	Specifications	Photometrics	Recommended Dimmers
Location Rating :: Wet	Frame Material :: Aluminum	CCT ::	
Certification :: N/A	Diffuser Material :: Glass	CRI ::	
IES File ::	Voltage :: 120v	Wattage :: 60 W	
JA8 Compliant :: No	Lamping Type :: A-19 (INC)	Nominal Lumens ::	
Energy Star :: No	Lamping Base :: E-26	Delivered Lumens ::	
ADA Compliant :: No	Lamp Quantity :: 1	Additional Items ::	
Marine Grade :: No	Lamp Wattage :: 60 W		
Emergency Lighting :: No	Total Wattage :: 60 W		
Warranty :: 1 Year Limited	Lamps Included :: No		
	J-Box Type :: Standard		



Toll Free 800-828-5483 • www.AccessLighting.com

14410 Myford Road, Irvine, CA 92606
 The information provided is subject to change without notice. ©2020 Access Lighting Corporation. All Rights Reserved
 Rev. 202105 Filename: 20302MG-BL_RFR.pdf

