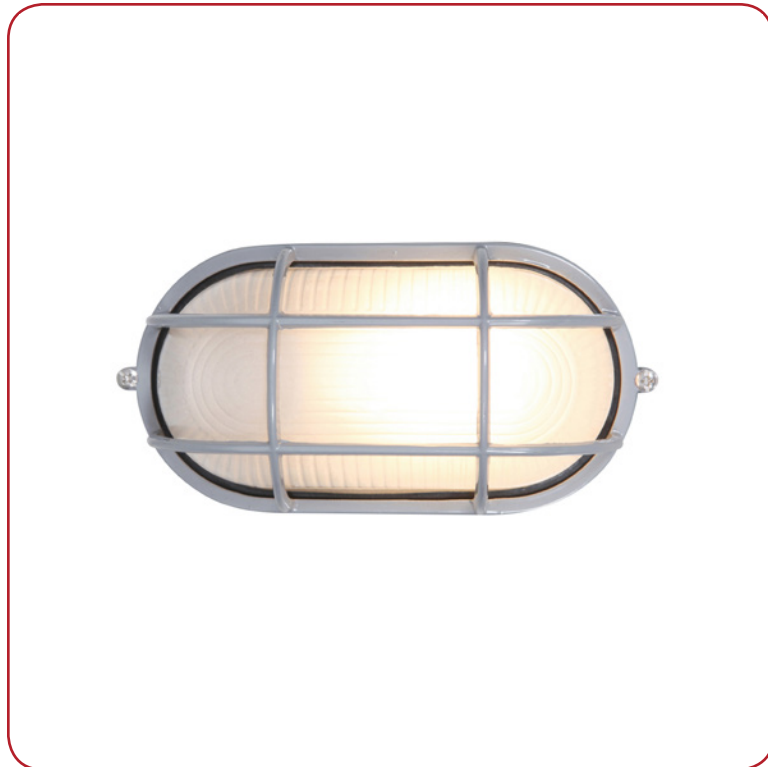


Model No :: **20290-SAT/FST**
 Name :: Nauticus



Project Name :: _____
 Location :: _____
 Type :: _____
 Quantity :: _____
 Notes :: _____

Product Information

Product ID :: 20290
 UPC Code :: 641594799422
 Mounting Type :: Wall
 Finish :: Satin (SAT)
 Diffuser :: Frosted (FST)
 Alt. Finishes :: Black (BL); Satin (SAT); White (WH)
 Alt. Diffusers :: Frosted (FST)

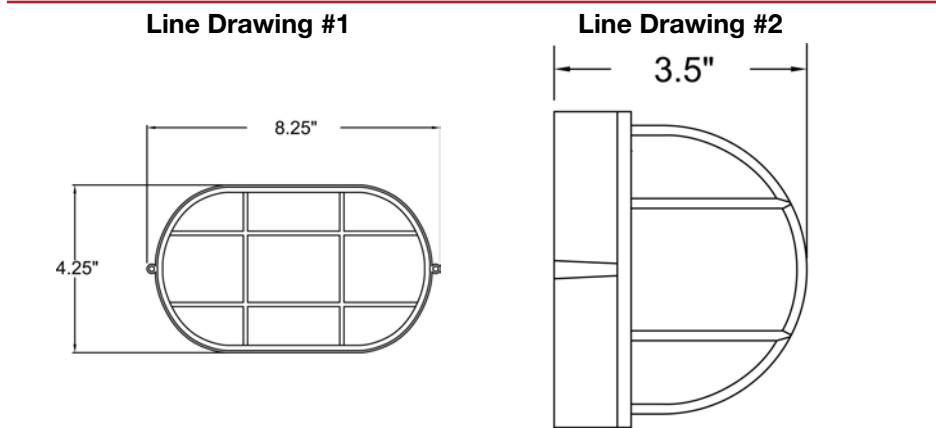
Product Dimensions

Fixture	Canopy
Length :: 8.25"	Length :: 8"
Width :: N/A	Width :: 4.5"
Diameter :: N/A	Diameter :: N/A
Extension :: 3.5"	Height :: 1"
Height :: 4.25"	
Overall Height :: N/A	



Technical Specifications

Qualifications	Specifications	Photometrics	Recommended Dimmers
Location Rating :: Wet	Frame Material :: Aluminum	CCT :: 2700	(TRIAC) Any Standard Dimmer
Certification :: UL Listed (US/Canada)	Diffuser Material :: Glass	CRI :: 80	
IES File ::	Voltage :: 120v	Wattage :: 60w	
JA8 Compliant :: No	Lamping Type :: Incandescent	Nominal Lumens :: 800Lm	
Energy Star :: No	Lamping Base :: E-26	Delivered Lumens :: N/A	
ADA Compliant :: Yes	Lamp Quantity :: 1	Additional Items :: 0	
Marine Grade :: No	Lamp Wattage :: 60 W		
Emergency Lighting :: No	Total Wattage :: 60w		
Warranty :: 1 Year Limited	Lamps Included :: No		
	J-Box Type :: Standard		



IES File

Image Not Available

Toll Free 800-828-5483 • www.AccessLighting.com

14410 Myford Road, Irvine, CA 92606

The information provided is subject to change without notice. ©2020 Access Lighting Corporation. All Rights Reserved
 Rev. 202004 Filename:: 20290-SAT_FST.pdf

