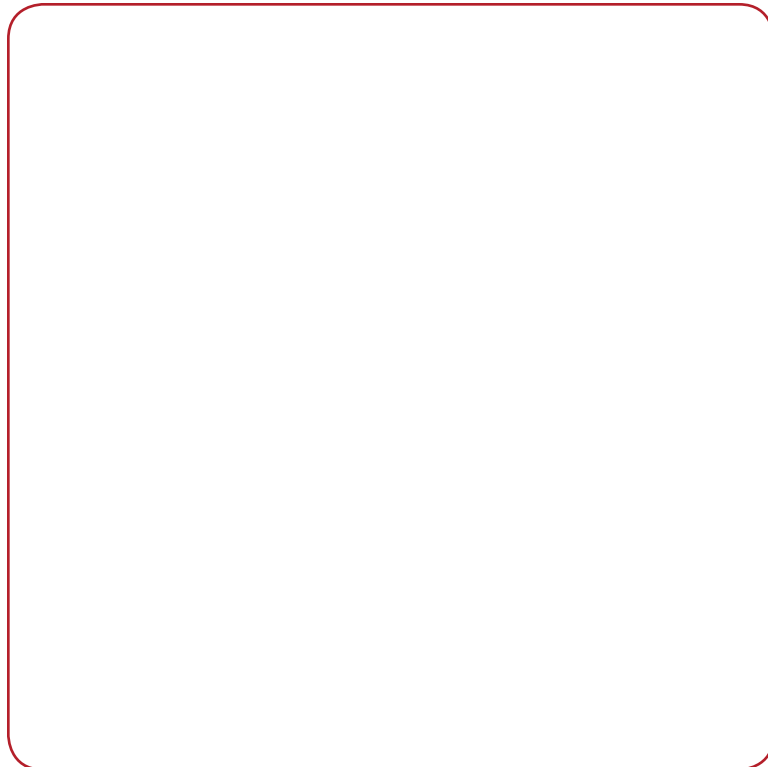


Model No :: **20280LEDDMG-BL/OPL**
 Name :: Cabo



Project Name :: _____
 Location :: _____
 Type :: _____
 Quantity :: _____
 Notes :: _____

Product Information

Product ID :: 20280
 UPC Code :: 641594236682
 Mounting Type :: Wall
 Finish :: Black (BL)
 Diffuser :: Opal (OPL)
 Alt. Finishes :: Black (BL); Satin (SAT); White (WH)
 Alt. Diffusers :: Opal (OPL)

Product Dimensions

Fixture		Canopy	
Length ::	N/A	Length ::	N/A
Width ::	8.5"	Width ::	N/A
Diameter ::	N/A	Diameter ::	N/A
Extension ::	4"	Height ::	N/A
Height ::	5.25"		
Overall Height ::	N/A		



Technical Specifications

Qualifications

Location Rating :: Wet
 Certification :: ETL Listed (US/Canada)
 IES File ::
 JA8 Compliant :: Yes
 Energy Star :: No
 ADA Compliant :: Yes
 Marine Grade :: No
 Emergency Lighting :: No
 Warranty :: 5 Year Limited

Specifications

Frame Material :: Steel
 Diffuser Material :: Glass
 Voltage :: 120v
 Lamping Type :: Dedicated LED
 Lamping Base :: SSL
 Lamp Quantity :: 1
 Lamp Wattage :: 9 W
 Total Wattage :: 9w
 Lamps Included :: Yes
 J-Box Type :: Standard

Photometrics

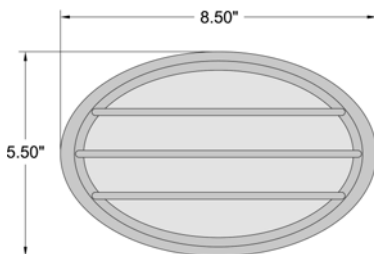
CCT :: 3000
 CRI :: 90
 Wattage :: 9w
 Nominal Lumens :: 800Lm
 Delivered Lumens :: 429Lm

Recommended Dimmers

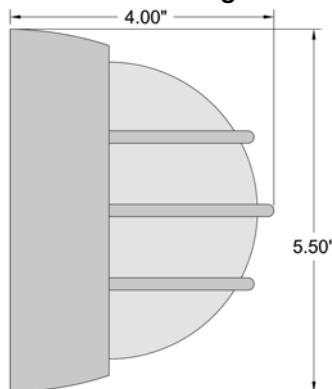
(ELV) LEVITON Decora DSE06-10Z; (ELV) LUTRON Maestro MAELV-600; (TRIAC) LEVITON Decora Sureslide 6674; (TRIAC) LUTRON Diva DVCL-153P; (TRIAC) LUTRON Skylark CL SCL-153 or SCL-153P

Additional Items :: JA8 compliant when installed outdoors

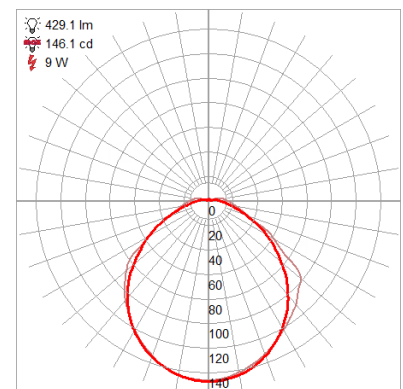
Line Drawing #1



Line Drawing #2



IES File



Toll Free 800-828-5483 • www.AccessLighting.com

14410 Myford Road, Irvine, CA 92606

The information provided is subject to change without notice. ©2020 Access Lighting Corporation. All Rights Reserved
 Rev. 202004 Filename:: 20280LEDDMG-BL_OPL.pdf

