

Model No :: **20101LEDDMG-BRZ/ACR**
 Name :: Tuxedo



Project Name :: _____
 Location :: _____
 Type :: _____
 Quantity :: _____
 Notes :: _____

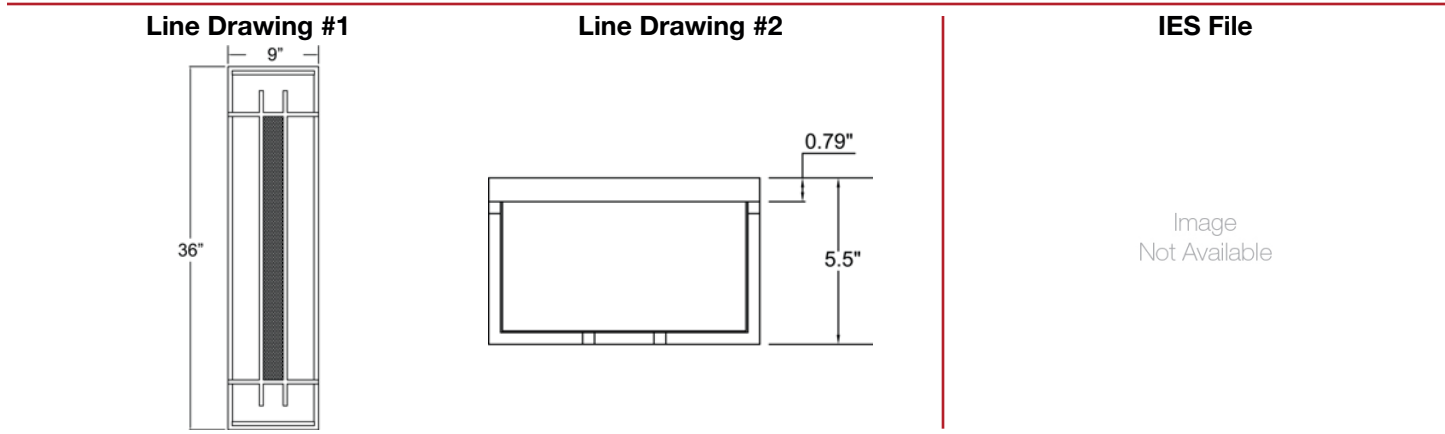
Product Information	
Product ID ::	20101
UPC Code ::	641594223651
Mounting Type ::	Wall
Finish ::	Bronze (BRZ)
Diffuser ::	Acrylic Lens (ACR)
Alt. Finishes ::	Bronze (BRZ); Satin (SAT)
Alt. Diffusers ::	Acrylic Lens (ACR)

Product Dimensions			
Fixture		Canopy	
Length ::	N/A	Length ::	N/A
Width ::	9"	Width ::	9"
Diameter ::	N/A	Diameter ::	N/A
Extension ::	5.5"	Height ::	36"
Height ::	36"		
Overall Height ::	N/A		



Technical Specifications

Qualifications	Specifications	Photometrics	Recommended Dimmers
Location Rating :: Wet	Frame Material :: Metal	CCT :: 3000	(ELV) LUTRON Caseta PD
Certification :: ETL Listed (US/Canada)	Diffuser Material :: Acrylic	CRI :: 90	- 6WCL; (ELV) LUTRON
IES File ::	Voltage :: 120v	Wattage :: 30w	Maestro CL MACL-153M;
JA8 Compliant :: No	Lamping Type :: Dedicated	Nominal	(ELV) LUTRON Skylark Contour
Energy Star :: No	Lamping Base :: SSL	Lumens :: 3326Lm	CTCL-153P; (TRIAC) LEVITON
ADA Compliant :: No	Lamp Quantity :: 1	Delivered	Decora Sureslide 6674; (TRIAC)
Marine Grade :: Yes	Lamp Wattage :: 30 W	Lumens :: N/A	LUTRON Diva DVCL-153P
Emergency Lighting :: No	Total Wattage :: 30w	Additional Items :: 0	
Warranty :: 5 Year Limited	Lamps Included :: Yes		
	J-Box Type :: Standard		



Toll Free 800-828-5483 • www.AccessLighting.com

14410 Myford Road, Irvine, CA 92606
 The information provided is subject to change without notice. ©2020 Access Lighting Corporation. All Rights Reserved
 Rev. 202004 Filename:: 20101LEDDMG-BRZ_ACR.pdf

