

Model No :: **20086LEDD-BL/CLR**  
 Name :: Reveal



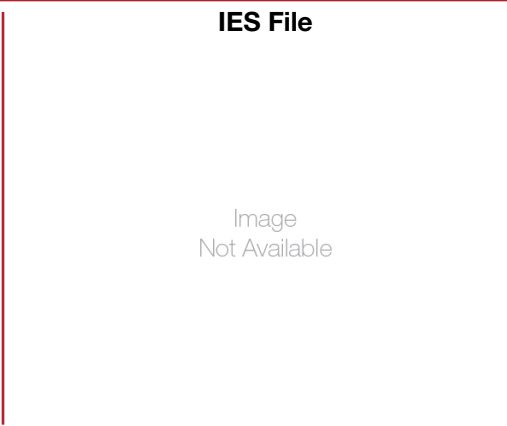
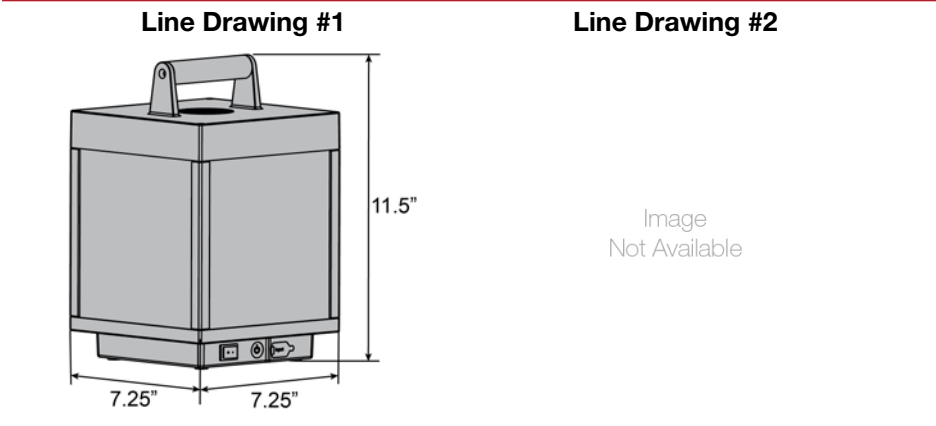
Project Name :: \_\_\_\_\_  
 Location :: \_\_\_\_\_  
 Type :: \_\_\_\_\_  
 Quantity :: \_\_\_\_\_  
 Notes :: \_\_\_\_\_

Product Information	
Product ID ::	20086
UPC Code ::	641594231564
Mounting Type ::	Portable
Finish ::	Black (BL)
Diffuser ::	Clear (CLR)
Alt. Finishes ::	Black (BL)
Alt. Diffusers ::	Clear (CLR)

Product Dimensions	
<b>Fixture</b>	<b>Canopy</b>
Length :: 7.25"	Length :: N/A
Width :: 7.25"	Width :: N/A
Diameter :: N/A	Diameter :: N/A
Extension :: N/A	Height :: N/A
Height :: 11.5"	
Overall Height :: N/A	

**Technical Specifications**

Qualifications	Specifications	Photometrics	Recommended Dimmers
Location Rating :: Wet	Frame Material :: Metal	CCT :: 3000	0
Certification :: ETL Listed (US/Canada)	Diffuser Material :: Glass	CRI :: 80	
IES File ::	Voltage :: 0	Wattage :: 4w	
JA8 Compliant :: No	Lamping Type :: Dedicated LED	Nominal Lumens :: 300Lm	
Energy Star :: No	Lamping Base :: SSL	Delivered Lumens :: N/A	
ADA Compliant :: No	Lamp Quantity :: 1		
Marine Grade :: No	Lamp Wattage :: 4 W		
Emergency Lighting :: No	Total Wattage :: 4w		
Warranty :: 5 Year Limited	Lamps Included :: Yes		
	J-Box Type :: Standard		
		Additional Items :: Stainless Steel Handle, 4 Hours Battery (Max Light & Max Volume), 3 Step Dimming (300 Nom. Lumens, 150 Nom. Lumens, 50 Nom. Lumens)	



Toll Free 800-828-5483 • [www.AccessLighting.com](http://www.AccessLighting.com)

14410 Myford Road, Irvine, CA 92606

The information provided is subject to change without notice. ©2020 Access Lighting Corporation. All Rights Reserved  
 Rev. 202004    Filename:: 20086LEDD-BL\_CLR.pdf

