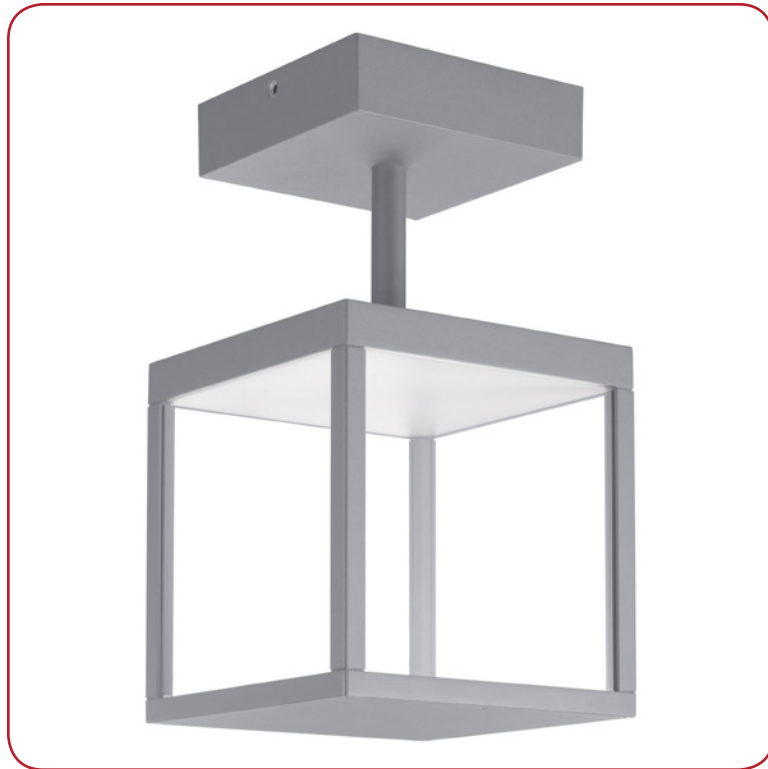


Model No :: **20084LED-SG/CLR**
 Name :: Reveal



Project Name :: _____
 Location :: _____
 Type :: _____
 Quantity :: _____
 Notes :: _____

Product Information

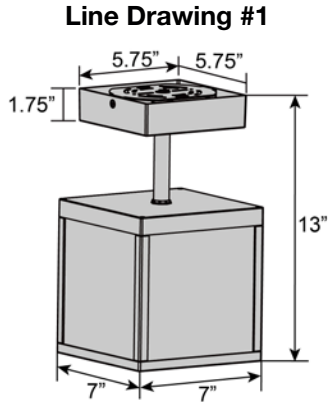
Product ID :: 20084
 UPC Code :: 641594226546
 Mounting Type :: Ceiling
 Finish :: Satin Gray (SG)
 Diffuser :: Clear (CLR)
 Alt. Finishes :: Black (BL); Satin Gray (SG)
 Alt. Diffusers :: Clear (CLR); Seeded Glass (SDG)

Product Dimensions

| Fixture | Canopy |
|-----------------------|-----------------|
| Length :: 7" | Length :: 5.75" |
| Width :: 7" | Width :: 5.75" |
| Diameter :: N/A | Diameter :: N/A |
| Extension :: N/A | Height :: 1.75" |
| Height :: 13" | |
| Overall Height :: N/A | |

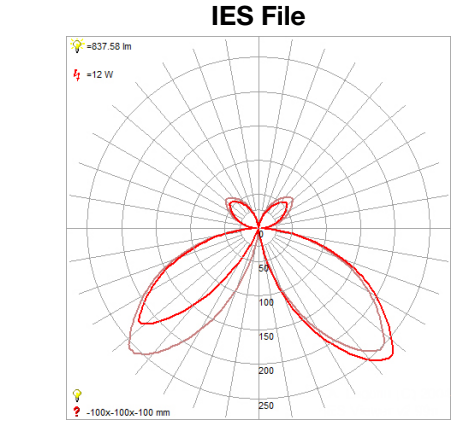
Technical Specifications

| Qualifications | Specifications | Photometrics | Recommended Dimmers |
|---|-------------------------------|----------------------------------|---------------------|
| Location Rating :: Wet | Frame Material :: Metal | CCT :: 3000 | 0 |
| Certification :: ETL Listed (US/Canada) | Diffuser Material :: Glass | CRI :: 90 | |
| IES File :: | Voltage :: 120-277v | Wattage :: 13w | |
| JA8 Compliant :: No | Lamping Type :: Dedicated LED | Nominal Lumens :: 1400Lm | |
| Energy Star :: No | Lamping Base :: SSL | Delivered Lumens :: 850Lm | |
| ADA Compliant :: No | Lamp Quantity :: 1 | Additional Items :: Marine Grade | |
| Marine Grade :: No | Lamp Wattage :: 13 W | | |
| Emergency Lighting :: No | Total Wattage :: 13w | | |
| Warranty :: 5 Year Limited | Lamps Included :: Yes | | |
| | J-Box Type :: Standard | | |



Line Drawing #2

Image Not Available



Toll Free 800-828-5483 • www.AccessLighting.com

14410 Myford Road, Irvine, CA 92606
 The information provided is subject to change without notice. ©2020 Access Lighting Corporation. All Rights Reserved
 Rev. 202004 Filename:: 20084LED-SG_CLR.pdf

