

Model No :: **20082LED-SG/CLR**  
 Name :: Reveal



Project Name :: \_\_\_\_\_  
 Location :: \_\_\_\_\_  
 Type :: \_\_\_\_\_  
 Quantity :: \_\_\_\_\_  
 Notes :: \_\_\_\_\_

**Product Information**

Product ID :: 20082  
 UPC Code :: 641594226515  
 Mounting Type :: Pier Mount  
 Finish :: Satin Gray (SG)  
 Diffuser :: Clear (CLR)  
 Alt. Finishes :: Black (BL); Satin Gray (SG)  
 Alt. Diffusers :: Clear (CLR); Seeded Glass (SDG)

**Product Dimensions**

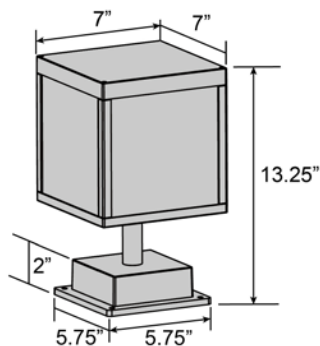
Fixture	Canopy
Length :: N/A	Length :: 5.75"
Width :: 7"	Width :: 5.75"
Diameter :: N/A	Diameter :: N/A
Extension :: 7"	Height :: 2"
Height :: 13.25"	
Overall Height :: N/A	



**Technical Specifications**

Qualifications	Specifications	Photometrics	Recommended Dimmers
Location Rating :: Wet	Frame Material :: Aluminum	CCT :: 3000	0
Certification :: ETL Listed (US/Canada)	Diffuser Material :: Glass	CRI :: 90	
IES File ::	Voltage :: 120-277v	Wattage :: 13w	
JA8 Compliant :: No	Lamping Type :: Dedicated LED	Nominal Lumens :: 1400Lm	
Energy Star :: No	Lamping Base :: SSL	Delivered Lumens :: 850Lm	
ADA Compliant :: No	Lamp Quantity :: 1	Additional Items :: Marine Grade	
Marine Grade :: No	Lamp Wattage :: 13 W		
Emergency Lighting :: No	Total Wattage :: 13w		
Warranty :: 5 Year Limited	Lamps Included :: Yes		
	J-Box Type :: Standard		

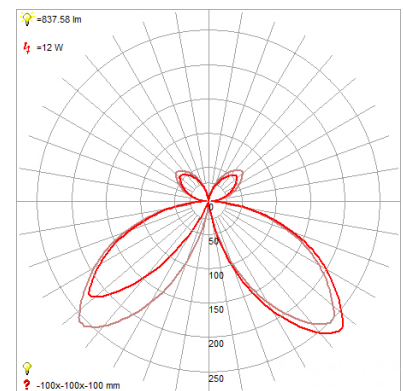
**Line Drawing #1**



**Line Drawing #2**

Image Not Available

**IES File**



**Toll Free 800-828-5483 • www.AccessLighting.com**

14410 Myford Road, Irvine, CA 92606

The information provided is subject to change without notice. ©2020 Access Lighting Corporation. All Rights Reserved  
 Rev. 202004 Filename: 20082LED-SG\_CLR.pdf

