

Model No :: **20082LED-BL/SDG**
 Name :: Reveal



Project Name :: _____
 Location :: _____
 Type :: _____
 Quantity :: _____
 Notes :: _____

Product Information

Product ID :: 20082
 UPC Code :: 641594228700
 Mounting Type :: Pier Mount
 Finish :: Black (BL)
 Diffuser :: Seeded Glass (SDG)
 Alt. Finishes :: Black (BL); Satin Gray (SG)
 Alt. Diffusers :: Clear (CLR); Seeded Glass (SDG)

Product Dimensions

Fixture	Canopy
Length :: N/A	Length :: 5.75"
Width :: 7"	Width :: 5.75"
Diameter :: N/A	Diameter :: N/A
Extension :: 7"	Height :: 2"
Height :: 13.25"	
Overall Height :: N/A	



Technical Specifications

Qualifications

Location Rating :: Wet
 Certification :: ETL Listed (US/Canada)
 IES File ::
 JA8 Compliant :: No
 Energy Star :: No
 ADA Compliant :: No
 Marine Grade :: No
 Emergency Lighting :: No
 Warranty :: 5 Year Limited

Specifications

Frame Material :: Aluminum
 Diffuser Material :: Glass
 Voltage :: 120-277v
 Lamping Type :: Dedicated LED
 Lamping Base :: SSL
 Lamp Quantity :: 1
 Lamp Wattage :: 13 W
 Total Wattage :: 13w
 Lamps Included :: Yes
 J-Box Type :: Standard

Photometrics

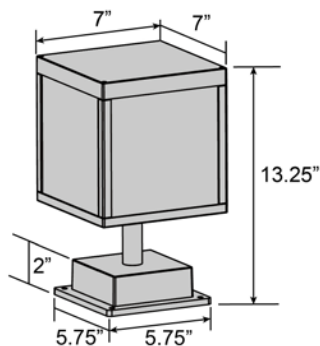
CCT :: 3000
 CRI :: 90
 Wattage :: 13w
 Nominal Lumens :: 1400Lm
 Delivered Lumens :: N/A

Recommended Dimmers

0

Additional Items :: Marine Grade

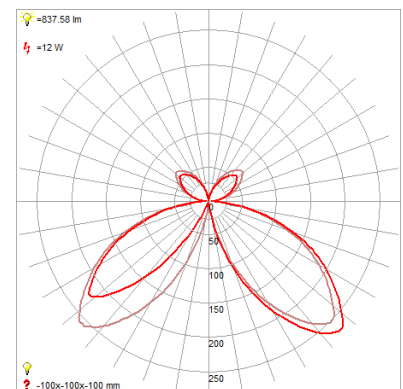
Line Drawing #1



Line Drawing #2

Image Not Available

IES File



Toll Free 800-828-5483 • www.AccessLighting.com

14410 Myford Road, Irvine, CA 92606

The information provided is subject to change without notice. ©2020 Access Lighting Corporation. All Rights Reserved
 Rev. 202004 Filename: 20082LED-BL_SDG.pdf

