

Model No :: **20082LED-BL/CLR**  
 Name :: Reveal



Project Name :: \_\_\_\_\_  
 Location :: \_\_\_\_\_  
 Type :: \_\_\_\_\_  
 Quantity :: \_\_\_\_\_  
 Notes :: \_\_\_\_\_

**Product Information**

Product ID :: 20082  
 UPC Code :: 641594226539  
 Mounting Type :: Pier Mount  
 Finish :: Black (BL)  
 Diffuser :: Clear (CLR)  
 Alt. Finishes :: Black (BL); Satin Gray (SG)  
 Alt. Diffusers :: Clear (CLR); Seeded Glass (SDG)

**Product Dimensions**

Fixture	Canopy
Length :: N/A	Length :: 5.75"
Width :: 7"	Width :: 5.75"
Diameter :: N/A	Diameter :: N/A
Extension :: 7"	Height :: 2"
Height :: 13.25"	
Overall Height :: N/A	



**Technical Specifications**

**Qualifications**

Location Rating :: Wet  
 Certification :: ETL Listed (US/Canada)  
 IES File ::  
 JA8 Compliant :: No  
 Energy Star :: No  
 ADA Compliant :: No  
 Marine Grade :: No  
 Emergency Lighting :: No  
 Warranty :: 5 Year Limited

**Specifications**

Frame Material :: Aluminum  
 Diffuser Material :: Glass  
 Voltage :: 120-277v  
 Lamping Type :: Dedicated LED  
 Lamping Base :: SSL  
 Lamp Quantity :: 1  
 Lamp Wattage :: 13 W  
 Total Wattage :: 13w  
 Lamps Included :: Yes  
 J-Box Type :: Standard

**Photometrics**

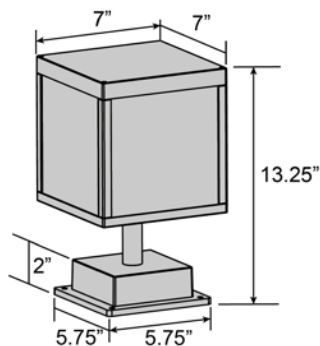
CCT :: 3000  
 CRI :: 90  
 Wattage :: 13w  
 Nominal Lumens :: 1400Lm  
 Delivered Lumens :: 850Lm

**Recommended Dimmers**

0

Additional Items :: Marine Grade

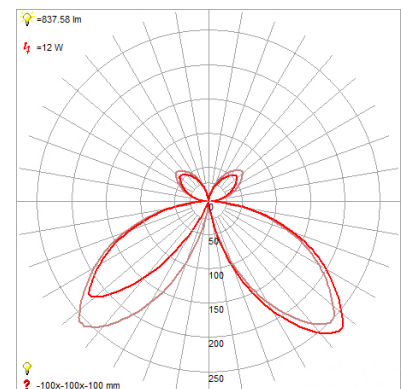
**Line Drawing #1**



**Line Drawing #2**

Image Not Available

**IES File**



**Toll Free 800-828-5483 • www.AccessLighting.com**

14410 Myford Road, Irvine, CA 92606

The information provided is subject to change without notice. ©2020 Access Lighting Corporation. All Rights Reserved  
 Rev. 202004 Filename: 20082LED-BL\_CLR.pdf

