

Model No :: **20075LEDD-BRZ/ACR**  
 Name :: Ulko Exterior



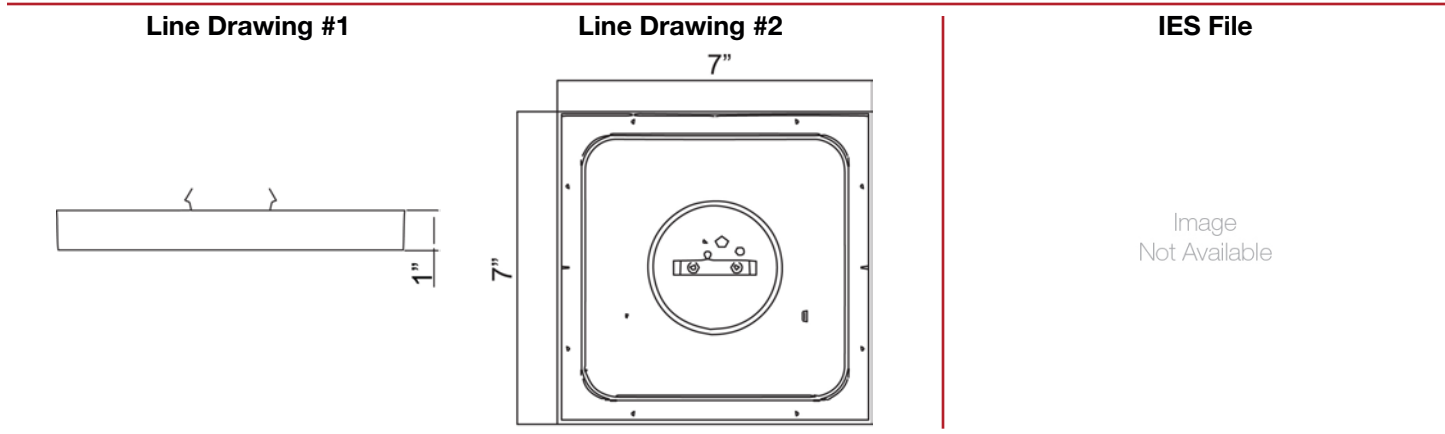
Project Name :: \_\_\_\_\_  
 Location :: \_\_\_\_\_  
 Type :: \_\_\_\_\_  
 Quantity :: \_\_\_\_\_  
 Notes :: \_\_\_\_\_

| Product Information |   |
|---------------------|---|
| Product ID ::       | 20075                                   |
| UPC Code ::         | 641594224610                            |
| Mounting Type ::    | Ceiling                                 |
| Finish ::           | Bronze (BRZ)                            |
| Diffuser ::         | Acrylic Lens (ACR)                      |
| Alt. Finishes ::    | Bronze (BRZ); Silver (SILV); White (WH) |
| Alt. Diffusers ::   | Acrylic Lens (ACR)                      |

| Product Dimensions |     |               |     |
|--------------------|-----|---------------|-----|
| <b>Fixture</b>     |     | <b>Canopy</b> |     |
| Length ::          | 7"  | Length ::     | N/A |
| Width ::           | 7"  | Width ::      | N/A |
| Diameter ::        | N/A | Diameter ::   | N/A |
| Extension ::       | N/A | Height ::     | N/A |
| Height ::          | 1"  |               |     |
| Overall Height ::  | N/A |               |     |

**Technical Specifications**

| Qualifications                          | Specifications                | Photometrics               | Recommended Dimmers   |
|---|-------------------------------|----------------------------|---|
| Location Rating :: Wet                  | Frame Material :: Acrylic     | CCT :: 3000                | (ELV) LUTRON Skylark SELV-300P; (MLV) LUTRON Diva DVLV-600P; (TRIAC) LEVITON Decora Sureslide 6674; (TRIAC) LEVITON Surslide 6631; (TRIAC) LEVITON Trimatron 6684; (TRIAC) LUTRON Diva DV-600P; (TRIAC) LUTRON Diva DVCL-153P |
| Certification :: ETL Listed (US/Canada) | Diffuser Material:: Acrylic   | CRI :: 90                  |   |
| IES File ::                             | Voltage :: 120v               | Wattage :: 15w             |   |
| JA8 Compliant :: Yes                    | Lamping Type :: Dedicated LED | Nominal Lumens :: 1300Lm   |   |
| Energy Star :: No                       | Lamping Base :: SSL           | Delivered Lumens :: 1134Lm |   |
| ADA Compliant :: No                     | Lamp Quantity :: 1            | Additional Items :: 0      |   |
| Marine Grade :: No                      | Lamp Wattage :: 15 W          |                            |   |
| Emergency Lighting :: No                | Total Wattage :: 15w          |                            |   |
| Warranty :: 5 Year Limited              | Lamps Included :: Yes         |                            |   |
|   | J-Box Type :: Standard        |                            |   |



**Toll Free 800-828-5483 • www.AccessLighting.com**

14410 Myford Road, Irvine, CA 92606  
 The information provided is subject to change without notice. ©2020 Access Lighting Corporation. All Rights Reserved  
 Rev. 202004    Filename:: 20075LEDD-BRZ\_ACR.pdf

