

Model No :: **20070LEDD-WH/ACR**
 Name :: Ulko Exterior



Project Name :: _____
 Location :: _____
 Type :: _____
 Quantity :: _____
 Notes :: _____

Product Information

Product ID :: 20070
 UPC Code :: 641594217667
 Mounting Type :: Ceiling
 Finish :: White (WH)
 Diffuser :: Acrylic Lens (ACR)
 Alt. Finishes :: White (WH)
 Alt. Diffusers :: Acrylic Lens (ACR)

Product Dimensions

Fixture		Canopy	
Length ::	N/A	Length ::	N/A
Width ::	N/A	Width ::	N/A
Diameter ::	5.5"	Diameter ::	N/A
Extension ::	N/A	Height ::	N/A
Height ::	1"		
Overall Height ::	N/A		



Technical Specifications

Qualifications

Location Rating :: Wet
 Certification :: ETL Listed (US/Canada)
 IES File ::
 JA8 Compliant :: Yes
 Energy Star :: No
 ADA Compliant :: No
 Marine Grade :: No
 Emergency Lighting :: No
 Warranty :: 5 Year Limited

Specifications

Frame Material :: Acrylic
 Diffuser Material :: Acrylic
 Voltage :: 120v
 Lamping Type :: Dedicated LED
 Lamping Base :: SSL
 Lamp Quantity :: 1
 Lamp Wattage :: 11 W
 Total Wattage :: 11w
 Lamps Included :: Yes
 J-Box Type :: Standard

Photometrics

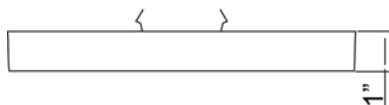
CCT :: 3000
 CRI :: 90
 Wattage :: 11w
 Nominal Lumens :: 700Lm
 Delivered Lumens :: 580Lm

Recommended Dimmers

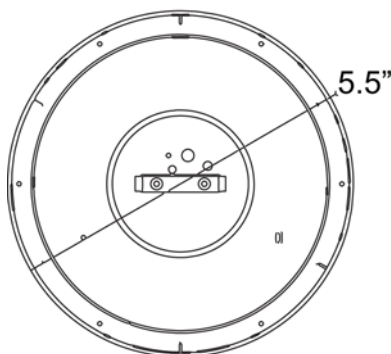
(ELV) LUTRON Skylark SELV-300P; (MLV) LUTRON Diva DVLV-600P; (TRIAC) LEVITON Decora Sureslide 6674; (TRIAC) LEVITON Surslide 6631; (TRIAC) LEVITON Trimatron 6684; (TRIAC) LUTRON Diva DV-600P; (TRIAC) LUTRON Diva DVCL-153P

Additional Items :: Outdoor Installation California Energy Commission (CEC) Compliant (Title 24)

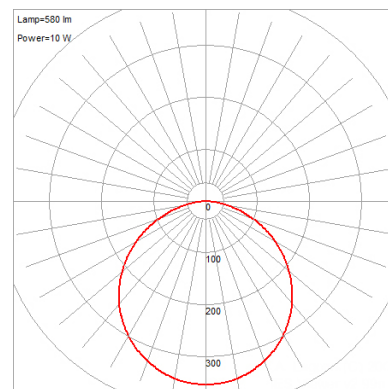
Line Drawing #1



Line Drawing #2



IES File



Toll Free 800-828-5483 • www.AccessLighting.com

14410 Myford Road, Irvine, CA 92606

The information provided is subject to change without notice. ©2020 Access Lighting Corporation. All Rights Reserved
 Rev. 202004 Filename:: 20070LEDD-WH_ACR.pdf

