

Model No :: **20041LEDSWADMG-BRZ/RFR**  
 Name :: Destination



Project Name :: \_\_\_\_\_  
 Location :: \_\_\_\_\_  
 Type :: \_\_\_\_\_  
 Quantity :: \_\_\_\_\_  
 Notes :: \_\_\_\_\_

**Product Information**

Product ID :: 20041  
 UPC Code :: 641594227413  
 Mounting Type :: Wall  
 Finish :: Bronze (BRZ)  
 Diffuser :: Ribbed Frosted (RFR)  
 Alt. Finishes :: Black (BL); Bronze (BRZ); Satin (SAT)  
 Alt. Diffusers :: Ribbed Frosted (RFR)

**Product Dimensions**

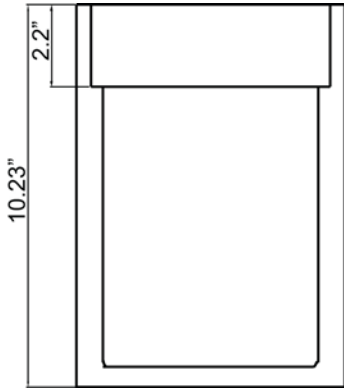
Fixture	Canopy
Length :: N/A	Length :: 4.75"
Width :: 7.25"	Width :: 4.75"
Diameter :: N/A	Diameter :: N/A
Extension :: 5"	Height :: 0.5"
Height :: 10.25"	
Overall Height :: N/A	



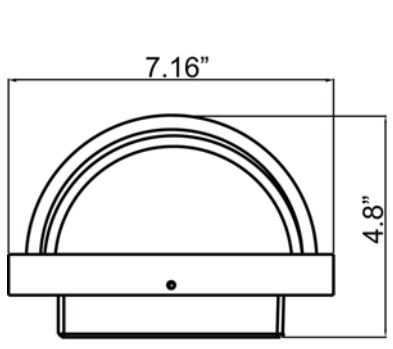
**Technical Specifications**

Qualifications	Specifications	Photometrics	Recommended Dimmers
Location Rating :: Wet	Frame Material :: Aluminum	CCT :: 2200-	(Remote Control) Philips Hue
Certification :: UL Listed (US/Canada)	Diffuser Material :: Glass	CRI :: 90	Wireless Dimmer Provided
IES File ::	Voltage :: 120-240v	Wattage :: 20w	
JA8 Compliant :: No	Lamping Type :: Dedicated LED	Nominal Lumens :: 1600Lm	
Energy Star :: No	Lamping Base :: Smart SSL	Delivered Lumens :: N/A	
ADA Compliant :: No	Lamp Quantity :: 1	Additional Items :: Provided with a Wireless Dimmer, For APP and Voice Control a Philips Hue bridge is required (Sold Separately)	
Marine Grade :: Yes	Lamp Wattage :: 20 W		
Emergency Lighting :: No	Total Wattage :: 20w		
Warranty :: 5 Year Limited	Lamps Included :: Yes		
	J-Box Type :: Standard		

**Line Drawing #1**



**Line Drawing #2**



**IES File**

Image Not Available

**Toll Free 800-828-5483 • www.AccessLighting.com**

14410 Myford Road, Irvine, CA 92606  
 The information provided is subject to change without notice. ©2020 Access Lighting Corporation. All Rights Reserved  
 Rev. 202004 Filename:: 20041LEDSWADMG-BRZ\_RFR.pdf

