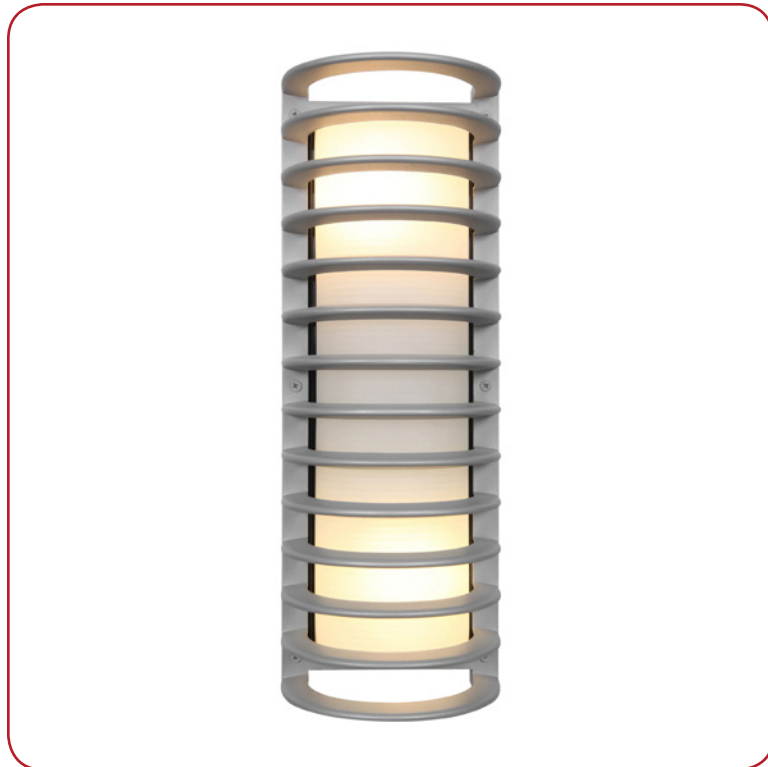


Model No :: **20030LEDDMG-SAT/RFR**
 Name :: Bermuda



Project Name :: _____
 Location :: _____
 Type :: _____
 Quantity :: _____
 Notes :: _____

Product Information

Product ID :: 20030
 UPC Code :: 641594222890
 Mounting Type :: Wall
 Finish :: Satin (SAT)
 Diffuser :: Ribbed Frosted (RFR)
 Alt. Finishes :: Bronze (BRZ); Satin (SAT)
 Alt. Diffusers :: Ribbed Frosted (RFR)

Product Dimensions

Fixture	Canopy
Length :: N/A	Length :: 7"
Width :: 6"	Width :: 4.5"
Diameter :: N/A	Diameter :: N/A
Extension :: 5.5"	Height :: 0.5"
Height :: 16.75"	
Overall Height :: N/A	

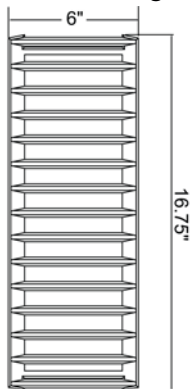


Technical Specifications

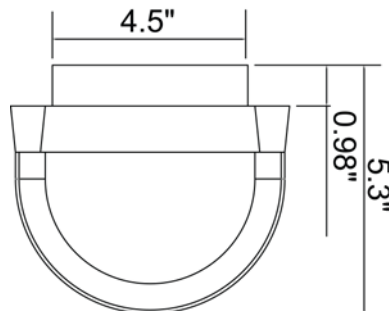
Qualifications	Specifications	Photometrics	Recommended Dimmers
Location Rating :: Wet	Frame Material :: Aluminum	CCT :: 3000	(ELV) LUTRON Diva DVELV-300P; (ELV) LUTRON Diva DVELV-303P; (ELV) LUTRON Skylark SELV-300P
Certification :: UL Listed (US/Canada)	Diffuser Material :: Glass	CRI :: 90	
IES File ::	Voltage :: 120v	Wattage :: 15w	
JA8 Compliant :: No	Lamping Type :: Dedicated LED	Nominal Lumens :: 1500Lm	
Energy Star :: No	Lamping Base :: SSL	Delivered Lumens :: N/A	
ADA Compliant :: No	Lamp Quantity :: 1		
Marine Grade :: Yes	Lamp Wattage :: 15 W		
Emergency Lighting :: No	Total Wattage :: 15w		
Warranty :: 5 Year Limited	Lamps Included :: Yes		
	J-Box Type :: Standard		

Additional Items :: Alt Color Temperatures Available, Available in 0-10V Dimming, Available in 277V; Outdoor Installation California Energy Commission (CEC) Compliant (JA8)

Line Drawing #1



Line Drawing #2



IES File

Image Not Available

Toll Free 800-828-5483 • www.AccessLighting.com

14410 Myford Road, Irvine, CA 92606

The information provided is subject to change without notice. ©2020 Access Lighting Corporation. All Rights Reserved
 Rev. 202004 Filename:: 20030LEDDMG-SAT_RFR.pdf

