

Model No :: **20012LEDDMGLP-BRZ/RFR**  
 Name :: Neptune



Project Name :: \_\_\_\_\_  
 Location :: \_\_\_\_\_  
 Type :: \_\_\_\_\_  
 Quantity :: \_\_\_\_\_  
 Notes :: \_\_\_\_\_

**Product Information**

Product ID :: 20012  
 UPC Code :: 641594206685  
 Mounting Type :: Wall  
 Finish :: Bronze (BRZ)  
 Diffuser :: Ribbed Frosted (RFR)  
 Alt. Finishes :: Bronze (BRZ); Satin (SAT)  
 Alt. Diffusers :: Ribbed Frosted (RFR)

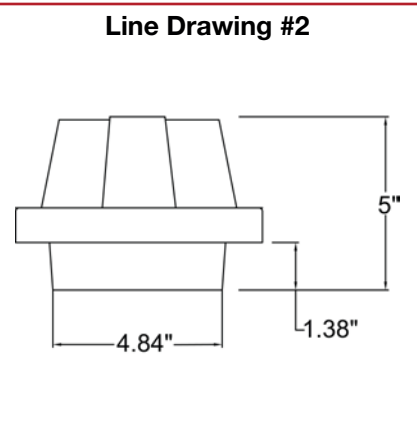
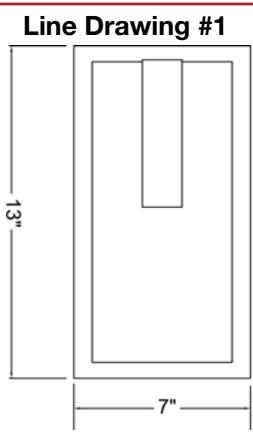
**Product Dimensions**

Fixture	Canopy
Length :: N/A	Length :: 7"
Width :: 7"	Width :: 4.75"
Diameter :: N/A	Diameter :: N/A
Extension :: 5"	Height :: N/A
Height :: 13"	
Overall Height :: N/A	



**Technical Specifications**

Qualifications	Specifications	Photometrics	Recommended Dimmers
Location Rating :: Wet	Frame Material :: Aluminum	CCT :: 3000	(ELV) LUTRON Skylark SELV-300P; (MLV) COOPER Aspire 9530SW; (TRIAC) LEGRAND Titan CD703-PW
Certification :: UL Listed (US/Canada)	Diffuser Material :: Glass	CRI :: 80	
IES File ::	Voltage :: 120v	Wattage :: 10w	
JA8 Compliant :: No	Lamping Type :: Replaceable LED	Nominal Lumens :: 800Lm	
Energy Star :: No	Lamping Base :: E-26	Delivered Lumens :: N/A	
ADA Compliant :: No	Lamp Quantity :: 1	Additional Items :: 0	
Marine Grade :: Yes	Lamp Wattage :: 10 W		
Emergency Lighting :: No	Total Wattage :: 10w		
Warranty :: 3 Year Limited	Lamps Included :: Yes		
	J-Box Type :: Standard		



**IES File**

Image Not Available

Toll Free 800-828-5483 • [www.AccessLighting.com](http://www.AccessLighting.com)

14410 Myford Road, Irvine, CA 92606  
 The information provided is subject to change without notice. ©2020 Access Lighting Corporation. All Rights Reserved  
 Rev. 202004 Filename:: 20012LEDDMGLP-BRZ\_RFR.pdf

