

Model No :: **20011LEDSWACDMG-BRZ/RFR**  
 Name :: Nevis



Project Name :: \_\_\_\_\_  
 Location :: \_\_\_\_\_  
 Type :: \_\_\_\_\_  
 Quantity :: \_\_\_\_\_  
 Notes :: \_\_\_\_\_

**Product Information**

Product ID :: 20011  
 UPC Code :: 641594227338  
 Mounting Type :: Wall  
 Finish :: Bronze (BRZ)  
 Diffuser :: Ribbed Frosted (RFR)  
 Alt. Finishes :: Bronze (BRZ); Satin (SAT)  
 Alt. Diffusers :: Ribbed Frosted (RFR)

**Product Dimensions**

Fixture	Canopy
Length :: N/A	Length :: 4.75"
Width :: 7"	Width :: 4.75"
Diameter :: N/A	Diameter :: N/A
Extension :: 5"	Height :: 0.5"
Height :: 10.5"	
Overall Height :: N/A	



**Technical Specifications**

**Qualifications**

Location Rating :: Wet  
 Certification :: UL Listed (US/Canada)  
 IES File ::  
 JA8 Compliant :: No  
 Energy Star :: No  
 ADA Compliant :: No  
 Marine Grade :: Yes  
 Emergency Lighting :: No  
 Warranty :: 5 Year Limited

**Specifications**

Frame Material :: Aluminum  
 Diffuser Material :: Glass  
 Voltage :: 120-240v  
 Lamping Type :: Dedicated LED  
 Lamping Base :: Smart SSL  
 Lamp Quantity :: 1  
 Lamp Wattage :: 20 W  
 Total Wattage :: 20w  
 Lamps Included :: Yes  
 J-Box Type :: Standard

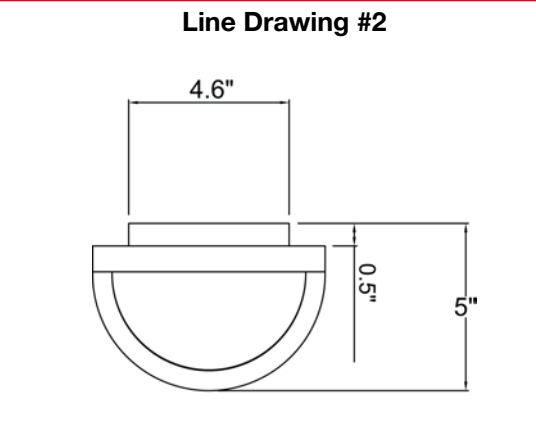
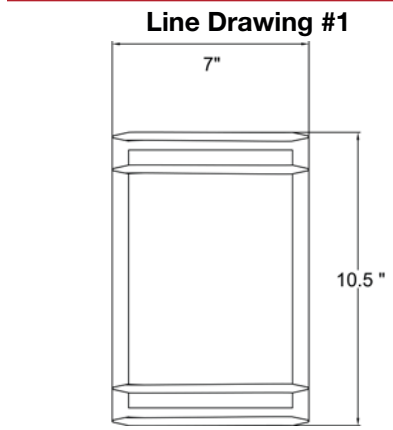
**Photometrics**

CCT :: 2000-  
 CRI :: 90  
 Wattage :: 20w  
 Nominal Lumens :: 1600Lm  
 Delivered Lumens :: N/A

**Recommended Dimmers**

(Remote Control) Philips Hue Wireless Dimmer Provided

Additional Items :: Provided with a Wireless Dimmer, For APP and Voice Control a Philips Hue bridge is required (Sold Separately)



**IES File**

Image Not Available

Toll Free 800-828-5483 • [www.AccessLighting.com](http://www.AccessLighting.com)

14410 Myford Road, Irvine, CA 92606  
 The information provided is subject to change without notice. ©2020 Access Lighting Corporation. All Rights Reserved  
 Rev. 202004 Filename: 20011LEDSWACDMG-BRZ\_RFR.pdf

