

Model No :: **20011LEDDMG-SAT/RFR**
 Name :: Nevis



Project Name :: _____
 Location :: _____
 Type :: _____
 Quantity :: _____
 Notes :: _____

Product Information

Product ID :: 20011
 UPC Code :: 641594225716
 Mounting Type :: Wall
 Finish :: Satin (SAT)
 Diffuser :: Ribbed Frosted (RFR)
 Alt. Finishes :: Bronze (BRZ); Satin (SAT)
 Alt. Diffusers :: Ribbed Frosted (RFR)

Product Dimensions

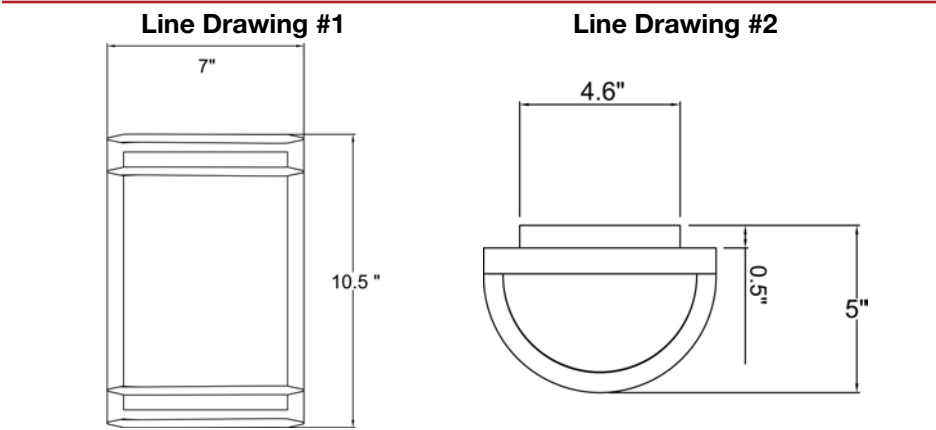
Fixture	Canopy
Length :: N/A	Length :: 4.75"
Width :: 7"	Width :: 4.75"
Diameter :: N/A	Diameter :: N/A
Extension :: 5"	Height :: 0.5"
Height :: 10.5"	
Overall Height :: N/A	



Technical Specifications

Qualifications	Specifications	Photometrics	Recommended Dimmers
Location Rating :: Wet	Frame Material :: Aluminum	CCT :: 3000	(ELV) LUTRON Diva DVELV-300P; (ELV) LUTRON Diva DVELV-303P; (ELV) LUTRON Skylark SELV-300P
Certification :: UL Listed (US/Canada)	Diffuser Material :: Glass	CRI :: 90	
IES File ::	Voltage :: 120v	Wattage :: 13w	
JA8 Compliant :: No	Lamping Type :: Dedicated LED	Nominal Lumens :: 1250Lm	
Energy Star :: No	Lamping Base :: SSL	Delivered Lumens :: N/A	
ADA Compliant :: No	Lamp Quantity :: 1		
Marine Grade :: Yes	Lamp Wattage :: 13 W		
Emergency Lighting :: No	Total Wattage :: 13w		
Warranty :: 5 Year Limited	Lamps Included :: Yes		
	J-Box Type :: Standard		

Additional Items :: Alt Color Temperatures Available; Available in 0-10V Dim; Available in 277V; JA8 Compliant



IES File

Image Not Available

Toll Free 800-828-5483 • www.AccessLighting.com

14410 Myford Road, Irvine, CA 92606

The information provided is subject to change without notice. ©2020 Access Lighting Corporation. All Rights Reserved
 Rev. 202004 Filename:: 20011LEDDMG-SAT_RFR.pdf

