

Model No :: **20010LEDSWACDMG-WHT/RFR**
 Name :: Bermuda



Project Name :: _____
 Location :: _____
 Type :: _____
 Quantity :: _____
 Notes :: _____

Product Information

Product ID :: 20010
 UPC Code :: 641594227352
 Mounting Type :: Wall
 Finish :: White (WH)
 Diffuser :: Ribbed Frosted (RFR)
 Alt. Finishes :: Black (BL); Bronze (BRZ); Satin (SAT);
 White (WH); White (WHT)
 Alt. Diffusers :: Ribbed Frosted (RFR)

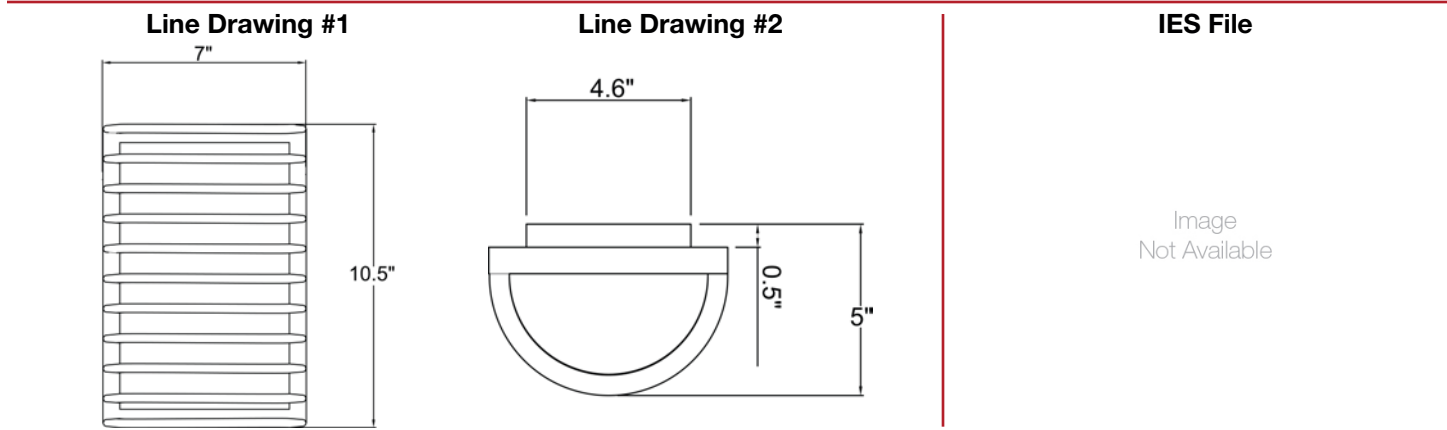
Product Dimensions

Fixture	Canopy
Length :: N/A	Length :: 4.75"
Width :: 7"	Width :: 4.75"
Diameter :: N/A	Diameter :: N/A
Extension :: 5"	Height :: 0.5"
Height :: 10.5"	
Overall Height :: N/A	



Technical Specifications

Qualifications	Specifications	Photometrics	Recommended Dimmers
Location Rating :: Wet	Frame Material :: Aluminum	CCT :: 2000-	(Remote Control) Philips Hue
Certification :: UL Listed (US/Canada)	Diffuser Material :: Glass	CRI :: 90	Wireless Dimmer Provided
IES File ::	Voltage :: 120-240v	Wattage :: 20w	
JA8 Compliant :: No	Lamping Type :: Dedicated LED	Nominal Lumens :: 1600Lm	
Energy Star :: No	Lamping Base :: Smart SSL	Delivered Lumens :: N/A	
ADA Compliant :: No	Lamp Quantity :: 1		
Marine Grade :: Yes	Lamp Wattage :: 20 W		
Emergency Lighting :: No	Total Wattage :: 20w		
Warranty :: 5 Year Limited	Lamps Included :: Yes		
	J-Box Type :: Standard		
		Additional Items :: Provided with a Wireless Dimmer, For APP and Voice Control a Philips Hue bridge is required (Sold Separately)	



Toll Free 800-828-5483 • www.AccessLighting.com

14410 Myford Road, Irvine, CA 92606

The information provided is subject to change without notice. ©2020 Access Lighting Corporation. All Rights Reserved
 Rev. 202004 Filename: 20010LEDSWACDMG-WHT_RFR.pdf

