

Model No :: **20010LEDDMGLP-WH/RFR**  
 Name :: Bermuda



Project Name :: \_\_\_\_\_  
 Location :: \_\_\_\_\_  
 Type :: \_\_\_\_\_  
 Quantity :: \_\_\_\_\_  
 Notes :: \_\_\_\_\_

**Product Information**

Product ID :: 20010  
 UPC Code :: 641594206647  
 Mounting Type :: Wall  
 Finish :: White (WH)  
 Diffuser :: Ribbed Frosted (RFR)  
 Alt. Finishes :: Black (BL); Bronze (BRZ); Satin (SAT);  
 White (WH); White (WHT)  
 Alt. Diffusers :: Ribbed Frosted (RFR)

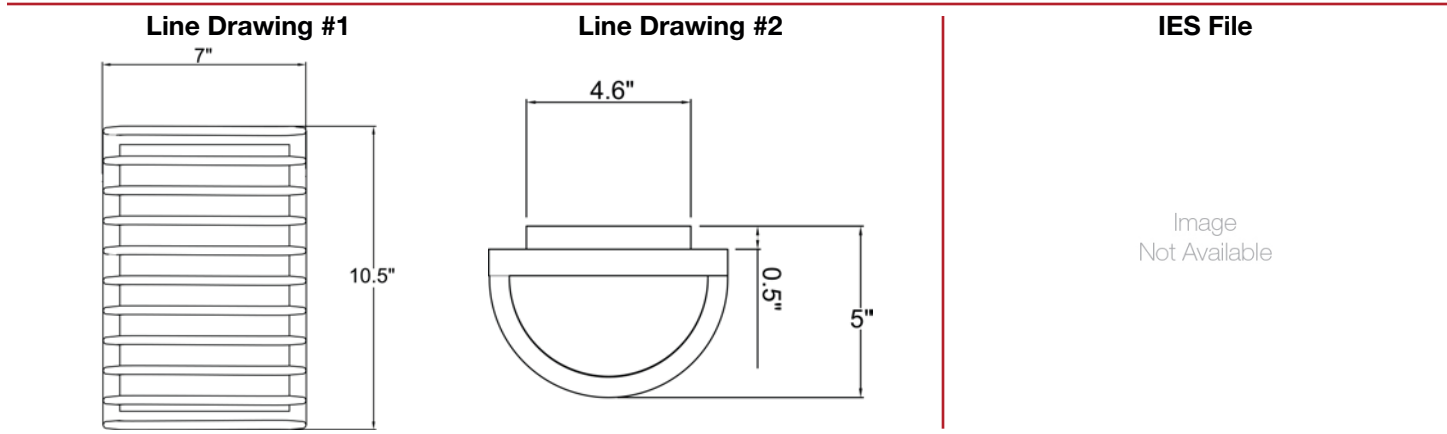
**Product Dimensions**

| Fixture               | Canopy          |
|-----------------------|-----------------|
| Length :: N/A         | Length :: 4.75" |
| Width :: 7"           | Width :: 4.75"  |
| Diameter :: N/A       | Diameter :: N/A |
| Extension :: 5"       | Height :: 0.5"  |
| Height :: 10.5"       |                 |
| Overall Height :: N/A |                 |



**Technical Specifications**

| Qualifications                         | Specifications                  | Photometrics            | Recommended Dimmers  |
|--|---------------------------------|-------------------------|--|
| Location Rating :: Wet                 | Frame Material :: Aluminum      | CCT :: 3000             | (ELV) LUTRON Skylark SELV-300P; (MLV) COOPER Aspire 9530SW; (TRIAC) LEGRAND Titan CD703-PW |
| Certification :: UL Listed (US/Canada) | Diffuser Material :: Glass      | CRI :: 80               |  |
| IES File ::                            | Voltage :: 120v                 | Wattage :: 10w          |  |
| JA8 Compliant :: No                    | Lamping Type :: Replaceable LED | Nominal Lumens :: 800Lm |  |
| Energy Star :: No                      | Lamping Base :: E-26            | Delivered Lumens :: N/A |  |
| ADA Compliant :: No                    | Lamp Quantity :: 1              | Additional Items :: 0   |  |
| Marine Grade :: Yes                    | Lamp Wattage :: 10 W            |                         |  |
| Emergency Lighting :: No               | Total Wattage :: 10w            |                         |  |
| Warranty :: 3 Year Limited             | Lamps Included :: Yes           |                         |  |
|  | J-Box Type :: Standard          |                         |  |



Toll Free 800-828-5483 • [www.AccessLighting.com](http://www.AccessLighting.com)

14410 Myford Road, Irvine, CA 92606  
 The information provided is subject to change without notice. ©2020 Access Lighting Corporation. All Rights Reserved  
 Rev. 202004 Filename: 20010LEDDMGLP-WH\_RFR.pdf

