



INSTALLATION INSTRUCTIONS

IMPORTANT SAFETY INSTRUCTIONS

MESURES DE SECURITE A RESPECTURE

Before assembling your ACCESS LIGHTING fixture, please make sure that you carefully read through this instruction sheet. Save this instruction sheet and refer to it when additions to or changes in the fixture configuration are made.

Lisez attentivement ce manuel d'instructions. Enregistrer cette feuille d'instructions et de s'y référer lorsque les ajouts ou changements dans la configuration de montage sont faites.

CONSULT A QUALIFIED ELECTRICIAN TO ENSURE CORRECT BRANCH CIRCUIT CONDUCTOR.

CONSULTER UN ELECTRICIEN QUALIFIE POUR VOUS ASSURER QUE LES CONDUCTEURS DE LA DERIVATION SONT ADEQUATS

THIS PRODUCT MUST BE INSTALLED IN ACCORDANCE WITH THE APPLICABLE INSTALLATION CODE BY A PERSON FAMILIAR WITH THE CONSTRUCTION AND OPERATION OF THE PRODUCT AND THE HAZARDS INVOLVED.

CE PRODUIT DOIT ETRE INSTALLE SELON LE CODE D'INSTALLATION PERTINENT, PAR UNE PERSONNE QUI CONNAIT BIEN LE PRODUIT ET SON FONCTIONNEMENT AINSI QUE LES RISQUES INHERENTS

NOTE: The important safeguards and instructions that appear in this manual are not meant to cover all possible conditions and situations that may occur. It must be understood that common sense, caution and care, are factors that can't be built into any product. These factors must be supplied by the person(s) caring for and operating the fixture.

Read all instructions

Do not install this fixture in hazardous locations.

N'installez pas cet appareil dans des emplacements dangereux.

Do not install any fixture assembly closer than 6 inches from any curtain or similar combustible material.

Laissez une distance d'au moins 6 pouces entre ce luminaire et la toute surface combustible.

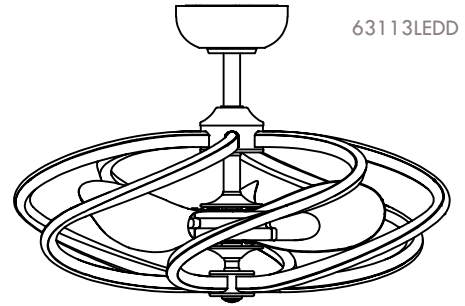
"WARNING Risk of Fire and Electric Shock."

"CAUTION: Risque d' Incendie et de Choc Electriques."

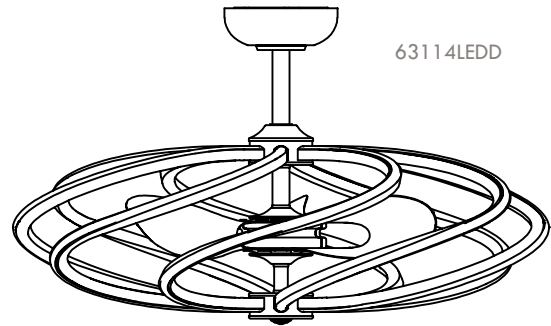
GENERAL INFORMATION

All electrical connections must be in accordance with all ordinances, Local and the U.S. National Electrical Codes (NEC). These fixtures are intended for mounting to a standard 4" metal octagon outlet box.

The box must be directly supported by the building structure and U.L. Recognized.



63113LEDD



63114LEDD

COLLECTION

Vortex

APPLICATION

Pendant Fan Fixture

MODEL NO.

63113LEDD

63114LEDD

WHAT WE PROVIDE

- Mounting Hardware
- Crossbar plate
- LED

WHAT YOU NEED

- Screwdriver
- Wire Cutters
- Wiring Supplies as Specified by Electrical Code

STEP BY STEP INSTRUCTIONS

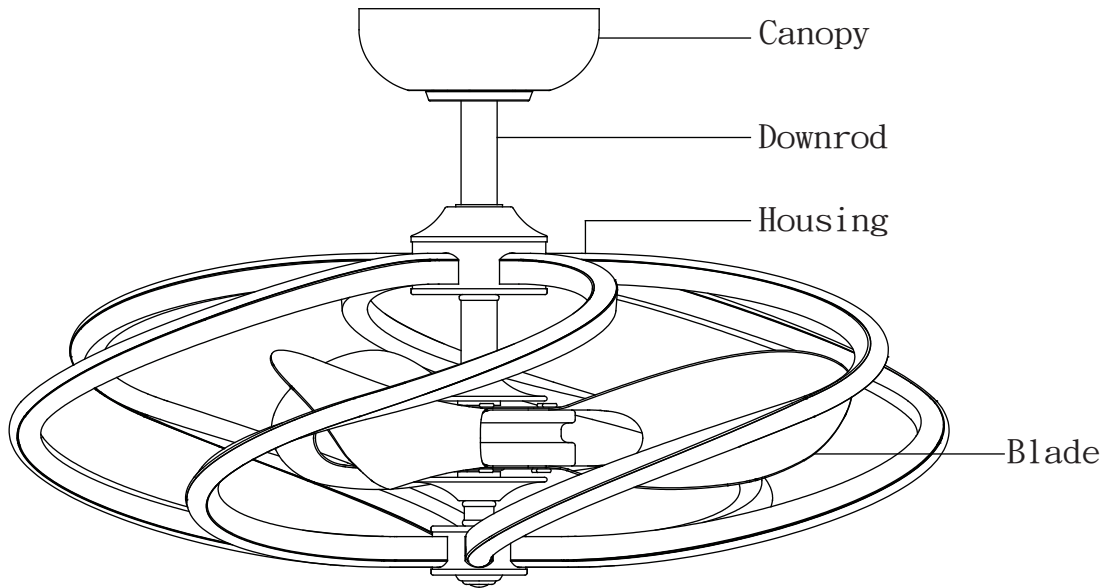
Before starting your installation disconnect the Power by turning off the Circuit Breaker or by removing the fuse at the fuse box. Just turning the light off at the light switch is not sufficient to prevent electrical shock.

SAFETY PRECAUTION

- WARNING - To make sure power is off before attempting installation.
- WARNING - Support Directly From Building Structure.
- WARNING - To reduce the risk of fire, electric shock, or injury to persons, unplug or disconnect the appliance from the power supply before the fan installation, cleaning, or servicing.
- WARNING - To Reduce The Risk Of Fire Or Electric Shock, Do Not Use This Fan With Any Solid-State Speed Control Device.
- WARNING - To Reduce The Risk Of Personal Injury, Do Not Bend The Blade Brackets When Installing The Brackets, Balancing The Blades, Or Cleaning The Fan. Do Not Insert Foreign Objects In Between Rotating Fan Blades.
- The installation is to be in accordance with the National Electrical Code, ANSI/NFPA 70-1999 and local codes. Consult a qualified electrician if in doubt.
- WARNING - To Reduce The Risk Of Electric Shock, This Fan Must Be Installed With A General-Use, Isolating Wall Control/Switch.
- All set screws must be checked, and retightened where necessary, before installation.
- After making the wire connections, the wires should be spread apart with the grounded conductor and the equipment-grounding conductor on one side of the outlet box and the ungrounded conductor on the other side of the outlet box.
- The splices after being made should be turned upward and pushed carefully up into the outlet box.
- Conductor of a fan identified as grounded conductor to be connected to a grounded conductor of power supply, conductor of fan identified as ungrounded conductor to be connected to an ungrounded conductor of power supply, conductor of fan identified for equipment grounding to be connected to an equipment-grounding conductor.
- CAUTION - To Reduce The Risk Of Electric Shock, Disconnect The Electrical Supply Circuit To The Fan Before Installing Light Kit.
- CAUTION - The hanger bracket shall not be mounted directly to a ceiling joist, unless located within or over a ceiling outlet-box

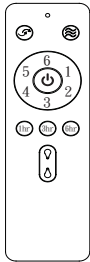
- CAUTION - If the fixture is to be removed or replaced, pls ensure that the electricity is switched off and that the fitting is cool before touching it.

PARTS & ACCESSORIES

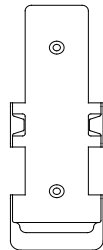


Transmitter Kit

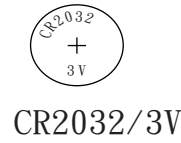
Transmitter



Transmitter Holder



Battery



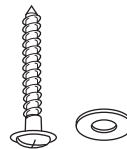
Wall Screw x 2



Assembly Kit

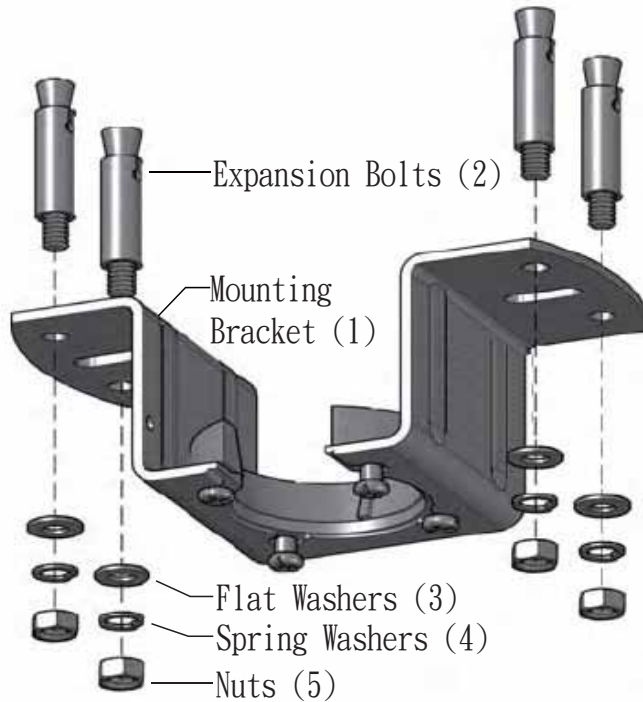


Expansion Bolt x 4



Self Tapping Screw & Washer x 4

INSTALLATION INSTRUCTION

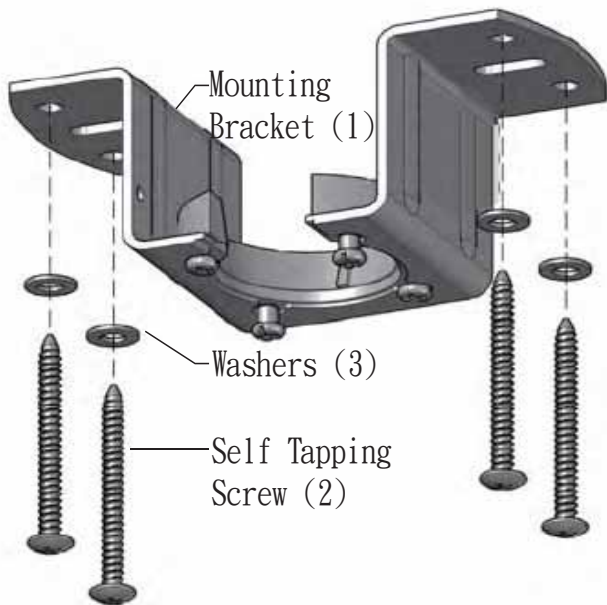


STEP 1A - CONCRETE CEILING

SWITCH OFF THE ELECTRICAL MAINS AT THE CIRCUIT BREAKER FUSE BOX.

- 1) Use the Mounting Bracket (1) as a guide, mark the spots where the 4 Expansion Bolts (2) will be drilled.
- 2) Remove the Mounting Bracket (1), drill 4 holes and insert 4 Expansion Bolts (2) into the concrete ceiling, install the mounting bracket and secure with Flat Washers (3), Spring Washers (4) and Nuts (5).

IMPORTANT : SCREWS & NUTS MUST BE TIGHTENED TILL SNUG

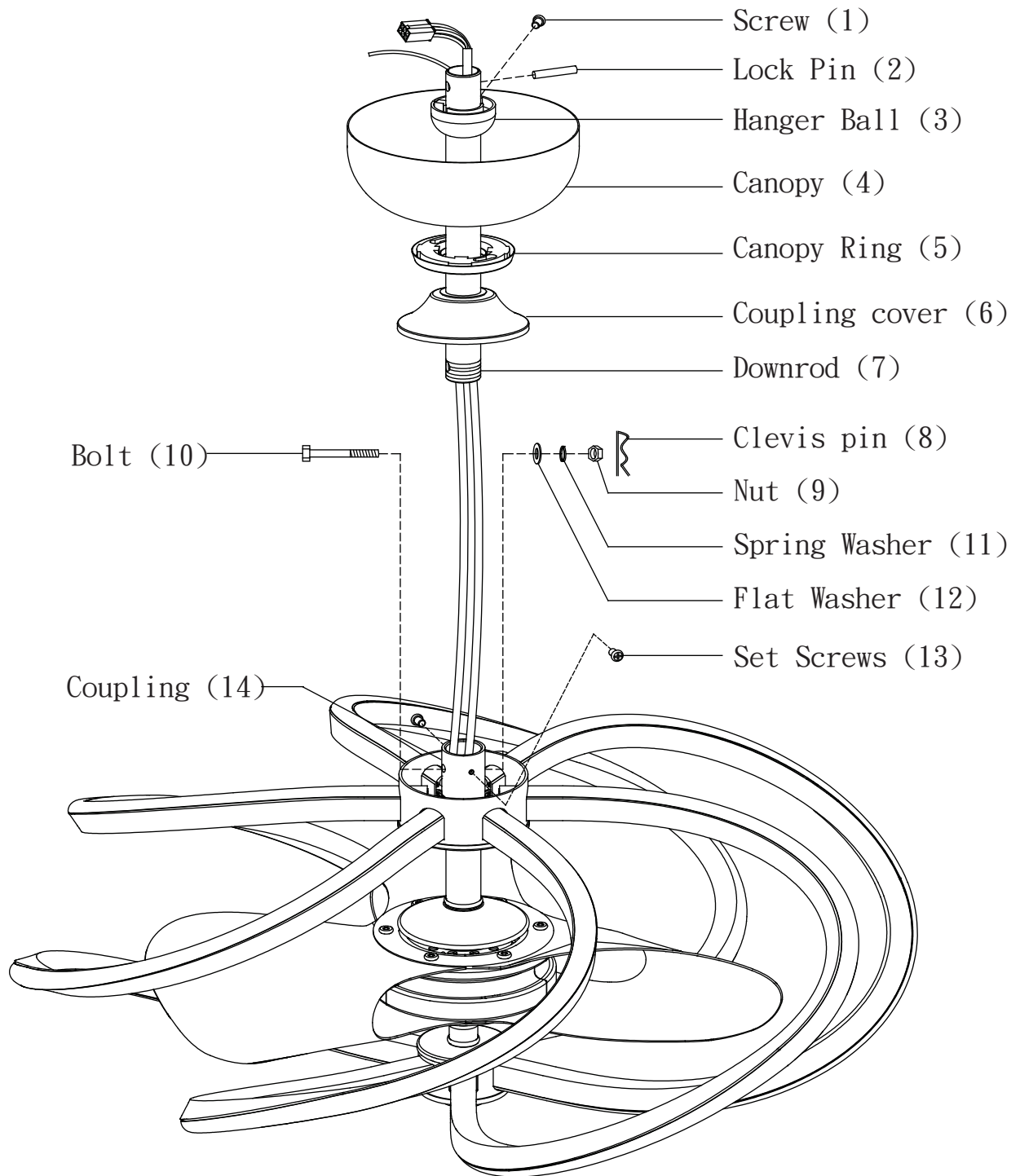


STEP 1B - WOODEN CEILING

SWITCH OFF THE ELECTRICAL MAINS AT THE CIRCUIT BREAKER FUSE BOX.

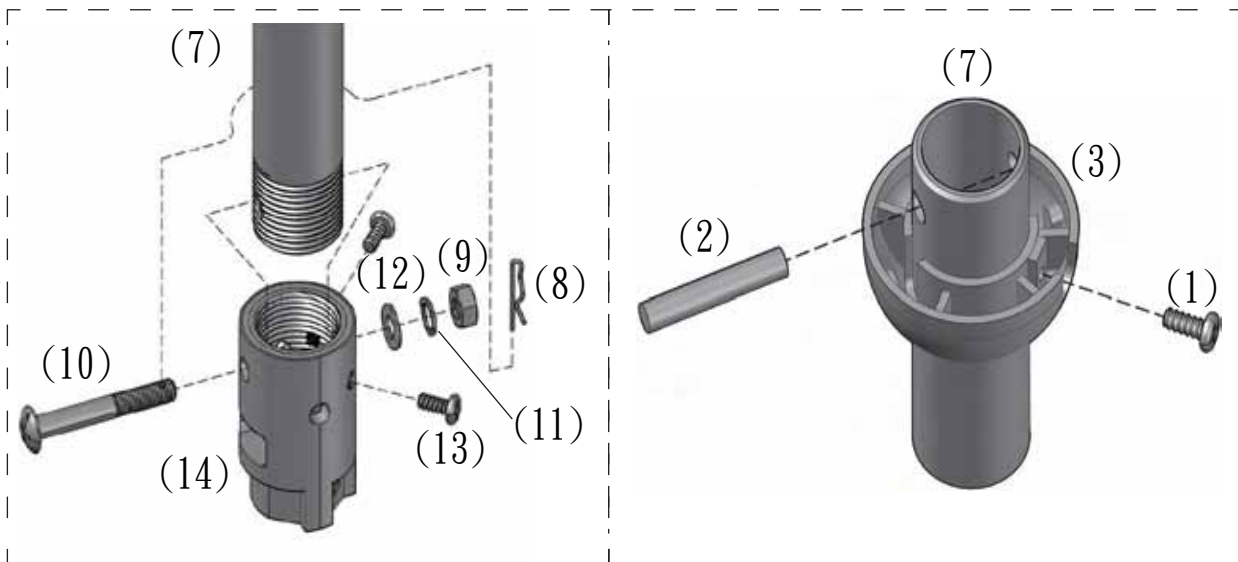
- 1) Use the Mounting Bracket (1) as a guide, mark the spots where the 4 Self Tapping Screws (2) will be drilled.
- 2) Remove the Mounting Bracket (1), drill 4 holes for 3MM diameter, install the mounting bracket onto wooden ceiling with the 4 Self Tapping Screws (2) & Washers (3).

IMPORTANT : SCREWS MUST BE TIGHTENED TILL SNUG

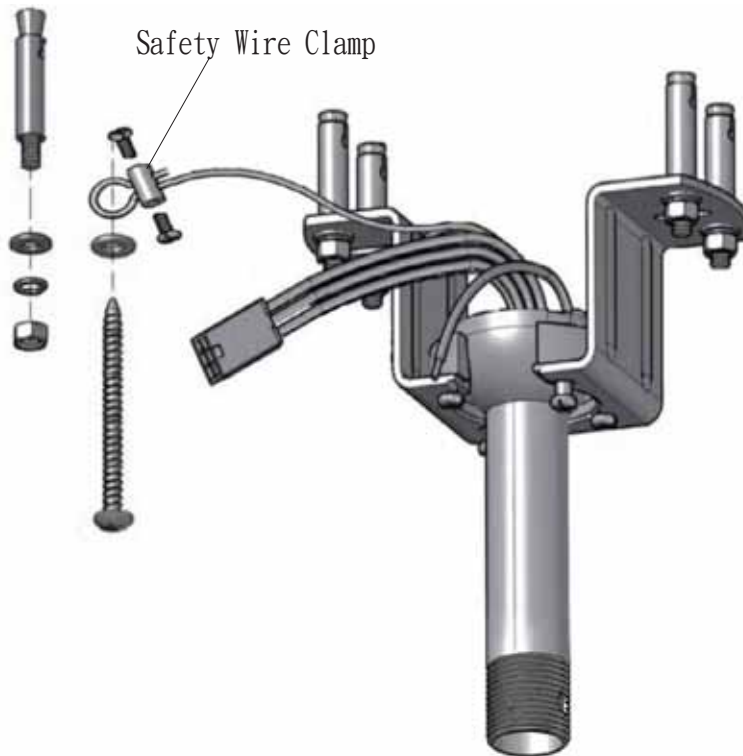


STEP 2

- 1) Remove the Clevis Pin (8), Nut (9), Spring Washers (11), Flat Washers(12) & Bolt (10) on Coupling (14).
- 2) Loosen the Screw (1) from Hanger Ball (3), remove the Hanger Ball (3) and Lock Pin (2).
- 3) Route the wires and safety wire from the motor through the Downrod (7).
- 4) Install the Downrod(7) to Coupling (14) and secure with Bolt (10), Flat Washer (12), Spring Washer (11), Nut (9) & Clevis pin (8).
- 5) Tighten the 2 Set Screws (13) on the Coupling (14) to serve as a clamping force on the Downrod (7) to prevent fan shaking during operation.



- 6) Route the Coupling cover (6), Canopy Ring (5), Canopy (4) and Hanger Ball (3) through the Downrod (7) in turn, and then install the Lock pin (2) through the hole on the Downrod (7). Slip the hanger ball (3) upward to lock Pin (2), and fix it by Screw (1), then slip down the Coupling Cover (6) in correct position.
- 7) Remove the stopper(x3) on the top of fan motor.

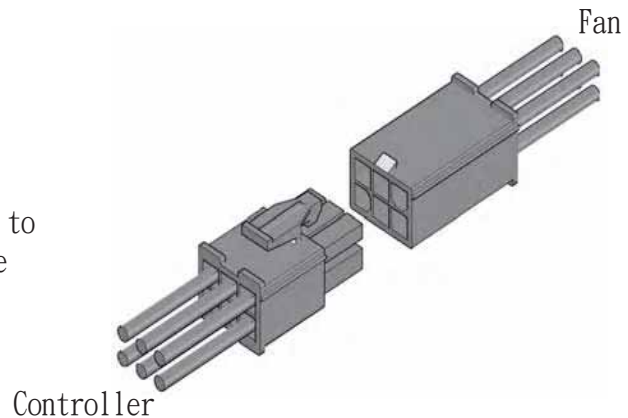


STEP 3

- 1) Raise the fan and place the hanger ball onto mounting bracket.
- 2) Rotate the fan until the notch on hanger ball snapped into the slot on mounting bracket and sits firmly.

NOTE : THE DOWNROD AND HANGER BALL SHOULD NOT ROTATE IF THIS STEP IS DONE CORRECTLY.

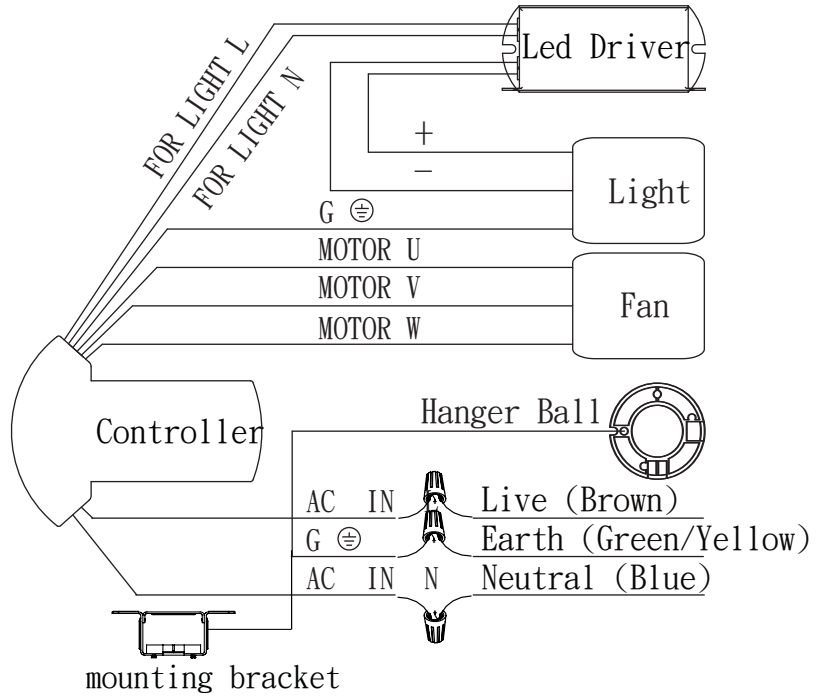
- 3) Tighten the safety wire clamp.
- 4) Place ring of safety wire through the expansion bolt or self tapping screw and fix it to the building structure.
- 5) Connect the wire connector plugs correctly. The wire connector plugs design with fool proof device, please don't force to plug. Otherwise it may affect the normal use of the light fan or burn the fan motor.



STEP 4

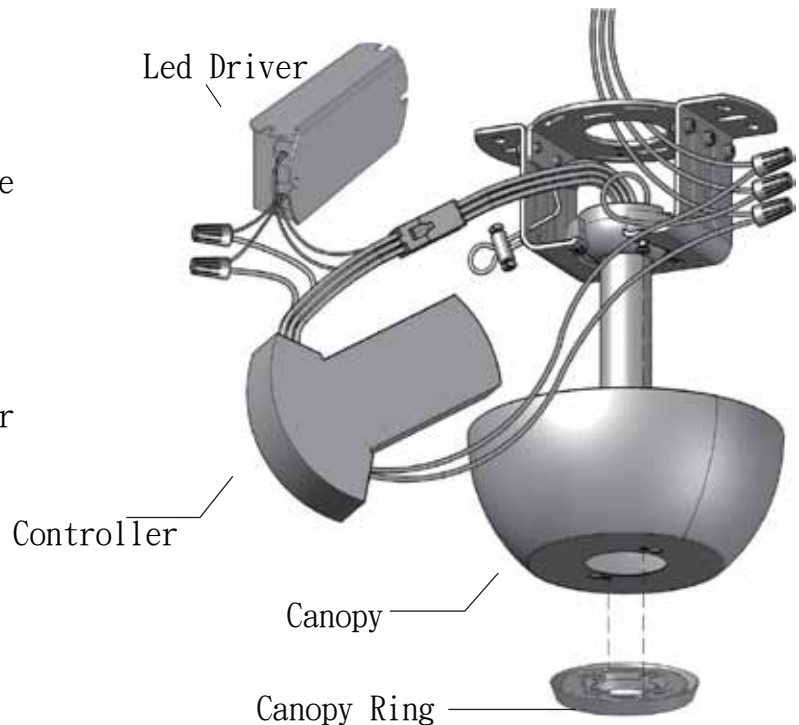
SWITCH OFF THE ELECTRICAL MAINS AT THE CIRCUIT BREAKER FUSE BOX.

- 1) Connect wires from power supply with wire connectors.
- 2) Insert the controller into the mounting bracket and LED driver into the opposite side of the mounting bracket, and tidy up the wiring. (There are very small tolerances for these components and the fixture is intended to be mounted on a flat ceiling.)



STEP 5

- 1) Carefully push the canopy to the bottom of the mounting bracket, make two sliding holes aligned to the two prominent screws on the mounting bracket, and then turn clockwise until tight.
- 2) Push the canopy ring to the bottom of the canopy, slide the inner holes aligned to the two prominent screws on the mounting bracket again, and turn the canopy ring clockwise until tight.



TRANSMITTER FUNCTION

TRANSMITTER SETTING

This DC motor is equipped with self-learning frequency function transmitter. Read all the steps BEFORE proceeding. Each step must be followed exactly in order to program the transmitter.

To use factory pre-programmed setting - Skip the below programming steps. Insert battery into transmitter, turn on the power supply to fan and it is ready to use.

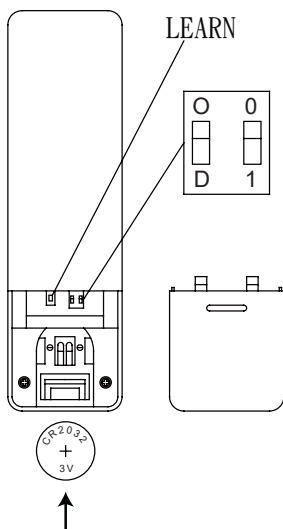
FIRST ONE USE INSTRUCTION

- 1) Dial up to position "0", it is on/off only for the lighting, and it is the brightest of the light.
- 2) Dial down to position "D", the brightness of the light can be control low or high.

SECOND ONE USE INSTRUCTION

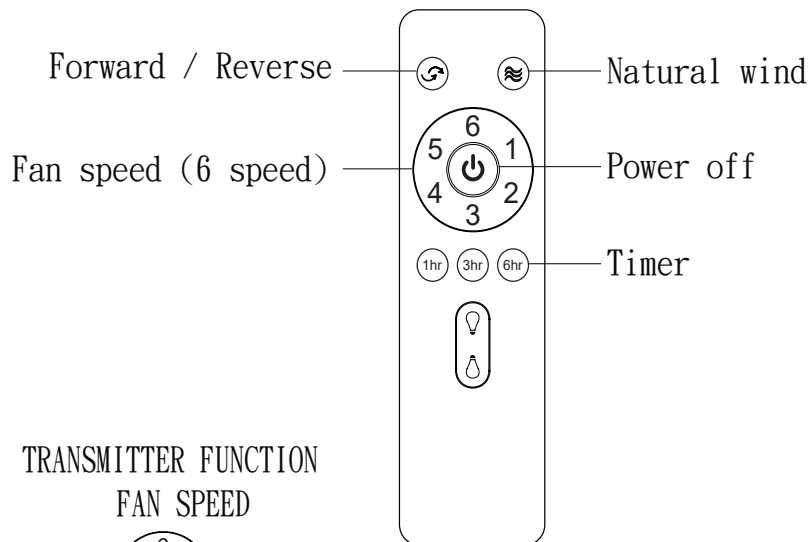
- 1) If you have more than 1 unit of this fan model in close proximity, it is equipped self-learning, please don't press any key when self-learning.
- 2) To set the second one down to the position of "1" (set to "0" position on one product when used directly).
- 3) Turn on the power of the light fan.
- 4) Within 30 sec after the "Beep", press and hold the LEARN button for 3 sec. Once the receiver has detected and learned the frequency, the receiver will "Beep",

Programming/self-learning process is completed and fan is ready to use.



ATTENTION

- 1) If the fan is not responding to the transmitter. Turn off the power supply to fan for 30 sec and then restore power & reset the transmitter.
- 2) If long time not to use the transmitter, please take the battery out.



TRANSMITTER FUNCTION

FAN SPEED



Fan speed 1 - 6 control (1-low speed, 6-high speed)

Turns off the fan

Timing the fan

Auto off after 1 hr

Auto off after 3 hr

Auto off after 6 hr

Cancel timing setup

Forward or reverse operation: Press the button for 2 sec until there is a 'Beep' sound to change fan rotating direction. Fan change direction. (approx 25sec.)

Natural Wind: Press the button to change fan rotating direction. Fan speed changes within its range creating gentle natural wind effect.

Lamp on-off control

When the first one dial down to the position of "D", long press this button adjustable light, dimmer in the process, when the light bulbs reach to most bright and dark, have a "Beep" sound tip respectively.

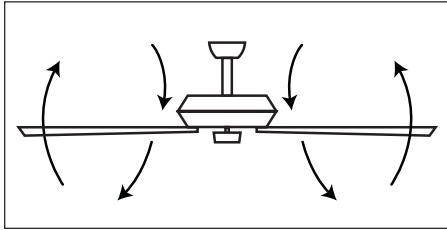
MAINTENANCE

Due to the fan's natural movement, connections may get loose after a period of usage. To ensure a proper and safety usage, inspect the suspension system and tighten all connections every 6 months.

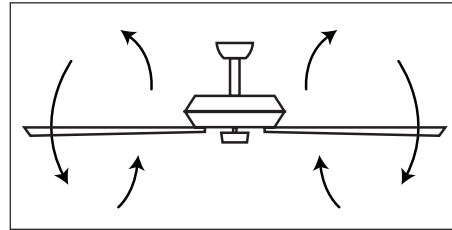
Cleaning

Cleaning your fan periodically will prolong its useful life. Basic cleaning procedures are as follows:

1. Please shut off the power before you clean the light fan.
2. The LED and nearby parts will be still hot after the power is shut off. To avoid burn, please clean them after they are cooled down.
3. Don't use sandpaper, wire brush and other sharp tools to clean the light fan.
4. Don't clean the light fan by using detergents, acid or alkaline solvents.
5. Use only soft or lint-free cloth to clean the light fan.
6. Please dry the light fan by cold-blast air after cleaning, in order to prevent dangerous leakage caused by water infiltrated into electriferous parts of the light fan or prevent rust of wet metal parts.
7. There is no need to oil the fan.

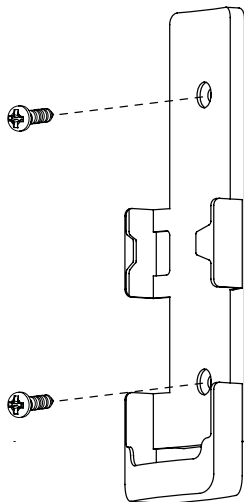


Forward
 Fan rotates anti-clockwise creating a downward airflow delivering a cooling effect.
 Suitable for hot weather condition or air-conditioned condition.



Reverse
 Fan rotates clockwise creating an upward airflow moving warm air off the ceiling areas. This function works best at lower fan speed.
 Suitable for cold weather or air-conditioned condition.

TRANSMITTER HOLDER

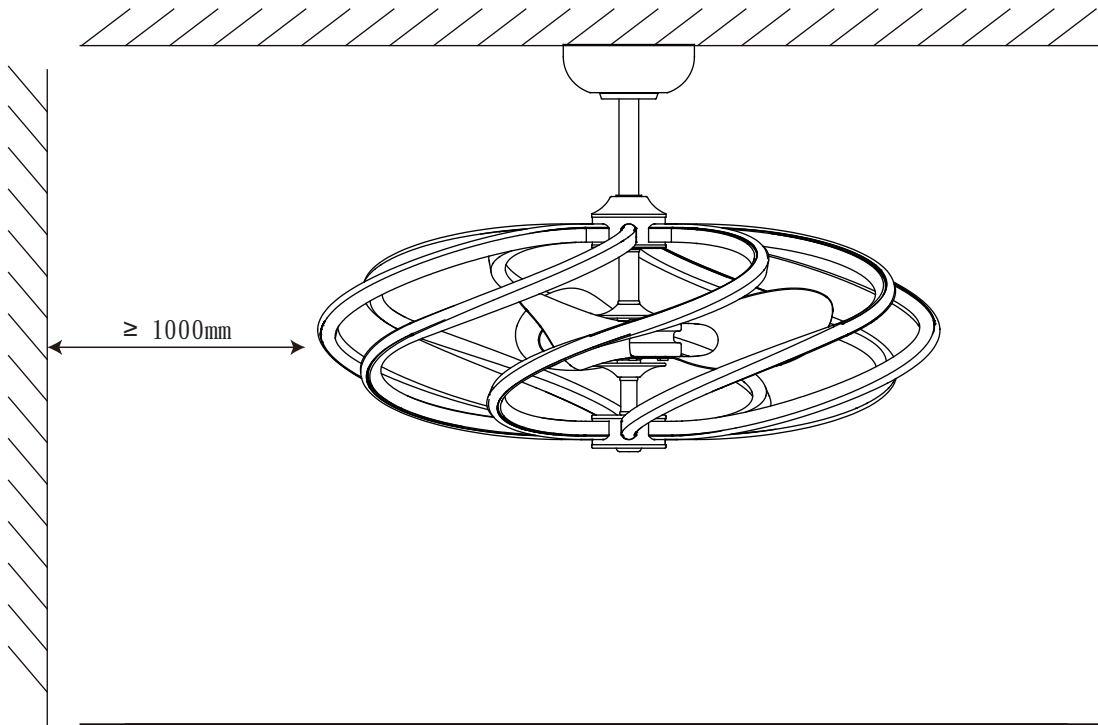


Holder

Installing Transmitter Holder

Install the transmitter holder to the wall or any flat surface with the two mounting screw provided.

TECHNICAL SPECIFICATIONS



Model	No. of blades	Fan width	Light bulb	Voltage
63113	3	715 mm	6 x 10W LED	110-120V~ 60Hz
63114	3	855 mm	8 x 7W LED	110-120V~ 60Hz

Speed	Amps	Wattage	RPM	CFM	Nett weight	Gross weight
1	0.063	4.8	100	1744	63113 15.41bs	63113 26.41bs
2	0.072	6.3	146	2151		
3	0.089	9.7	190	3629		
4	0.123	14.7	235	4365	63114 21.561bs	63114 37.621bs
5	0.165	22.2	280	5408		
6	0.221	32.2	324	6050		

Specifications & measurements shown are subject to $\pm 5\%$ variations.