

**\*\*\*READ & SAVE THESE INSTRUCTIONS \*\*\***  
**ACCESS LIGHTING**  
**MODEL 62315/6**  
**INSTALLATION & OPERATION INSTRUCTIONS**

**1) TOOLS AND MATERIALS REQUIRED**

- ❖ Blade Screwdriver
- ❖ Star Screwdriver
- ❖ Wire Cutters
- ❖ Wiring supplies as required by Electrical Code
- ❖ Step Ladder

**Attention:**

**Before assembling your lighting fixture, please read the following instructions.**

**(2) GENERAL**

1. To ensure the success of the installation, be sure to read these instructions thoroughly before beginning.
2. All electrical connections must be in accordance with local codes, ordinances, or the National Electrical Code. If you are unfamiliar with methods of installing electrical wiring, secure the services of a qualified licensed electrician.
3. These fixtures are intended for mounting to a standard 4" x 2 1/4" deep metal octagon outlet box. The box must be directly supported by the building structure.
4. Before commencing with the installation, **disconnect the power by turning off the circuit breaker** or by removing the fuse at the fuse box. Turning the power off using the light switch is not sufficient to prevent electrical shock.

**NOTE:**

*The important safeguards and instructions appearing in this manual are not meant to cover all possible conditions and situations that may occur. It must be understood that common sense, caution and care, are factors that cannot be built into any product. The person(s) caring for and operating the fixture must supply these factors.*

**(3) UNPACKING THE FIXTURE**

On checking the contents of the box you will find;

1. Fixture assembly
2. Hardware Packet
3. Mounting Canopy
4. 3,4 x 100W/T-3 Base 78mm Bulbs
5. 3,4 x Bulb Covers

**(4) PREPARE THE FIXTURE**

1. If you are replacing an existing fixture, disconnect and remove the old fixture. Expose the supply wiring from the outlet box.
2. Lay the un-assembled fixture on a soft surface and carefully remove all the packing material.
3. Attach the supplied **Mounting Plate** to the **J- box**, with the supplied **Mounting Screws (6)**.
4. Determine the desired length of your fixture and remove or add rods (1, 2, 3) as desired. Screw rods together and screw the last rod to the **Swing Joints (4)**.
5. Secure the **Swing Joints (4)** to the **Fixture Canopy** by placing the **Swing Joint (4)** through the supplied holes in the **Fixture Canopy**. Utilize the supplied **Lock Washers and Nuts (5)** to secure the **Swing Joints (4)** to the **Fixture Canopy**.
6. Feed the **Supply Wires** through the hole in the **Mounting Plate** and attach the **Supply Wires** to the **Fixture Wires**. The **Black supply wire** attaches to the **Black fixture wire** and the **White supply wire** attaches to the **White fixture wire**. Attach the **Green/Ground wire** from the fixture to the **Electrical Supply Wire** or to the **Green Screw** located on the **Mounting Plate**. Secure these connections with supplied **Wire Connectors (7)** and tape these connections with electrical tape.
7. Attach the **Fixture Canopy** to the **Mounting Plate** by positioning the **Fixture Canopy** such that the **holes** from the **Fixture Canopy** line up with the **Four Holes** in the **Mounting Plate**. Insert the supplied **screws (8)** and tighten to secure.
8. Insert the supplied **T-3/100W/78mm Bulbs (9)**. **Do not exceed wattage as stated on warning label.**
9. Secure the supplied **Bulb Covers (10)** onto each socket.
10. Place the supplied **Glass (11)** over the socket area and secure with the supplied **Washers and Screws (12)**.
11. Restore electricity and enjoy your new lighting fixture.

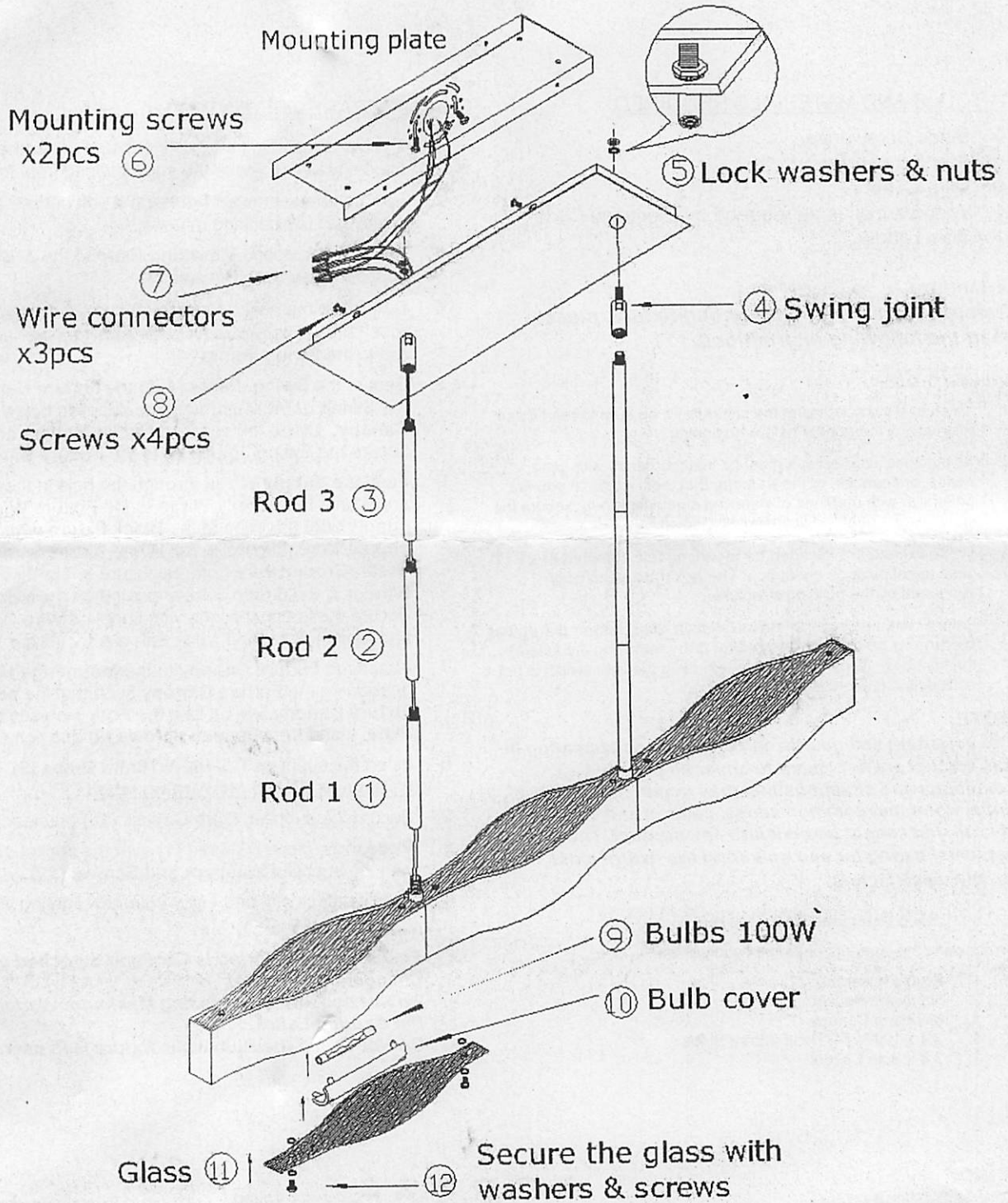
**CAUTION:**

- **Ensure that the Fitting is Cool and Switched off, Before Changing Bulbs.**
- **Do Not use Bulbs Exceeding Maximum Wattage of 40w, As Per Caution Label.**
- **Do Not Touch the Bulb while fixture is in operation.**

**a c c e s s**

**L I G H T I N G**

62315/6



**a c c e s s**

**L I G H T I N G**