

access

LIGHTING

INSTALLATION INSTRUCTIONS

IMPORTANT

Before assembling your **ACCESS LIGHTING** fixture, please make sure that you carefully read through these instruction sheets. Consider having your fixture installed by a qualified licensed electrician.

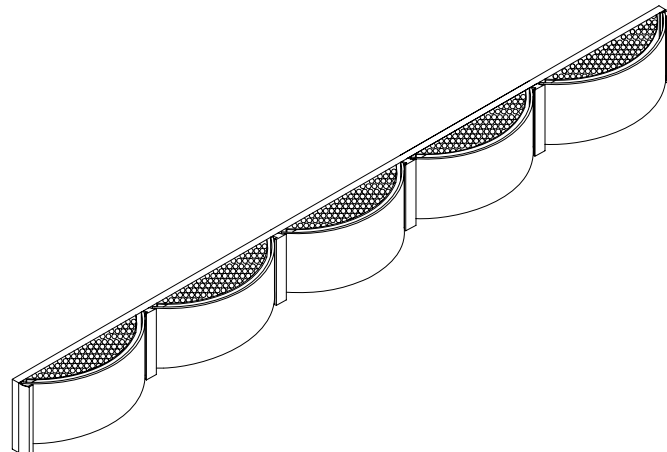
NOTE: The important safeguards and instructions that appear in this manual are not meant to cover all possible conditions and situations that may occur. It must be understood that common sense, caution and care, are factors that can't be built into any product. These factors must be supplied by the person(s) caring for and operating the fixture.

GENERAL INFORMATION

All electrical connections must be in accordance with all ordinances, Local and National Electrical Codes. These fixtures are intended for mounting to a standard 4" x 2 1/2" metal octagon outlet box. The box must be directly supported by the building structure and U.L. Recognized.

STEP BY STEP INSTRUCTIONS

Before starting your installation disconnect the Power by turning off the Circuit Breaker or by removing the fuse at the fuse box. Just turning the light off at the light switch is not sufficient to prevent electrical shock.



COLLECTION

WAVE

APPLICATION

Wall Fixture

MODEL NO.

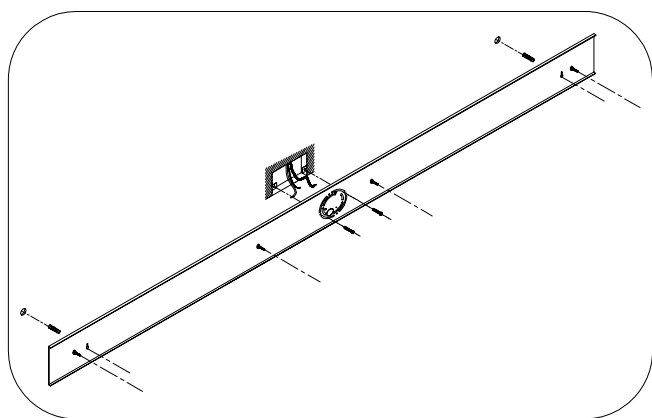
62299LEDD

WHAT WE PROVIDE

- Mounting Plate
- Mounting Hardware
- Face Plate
- 5 x Glass Shades
- 44W LED

WHAT YOU NEED

- Screwdriver
- Wire Cutters
- Wiring Supplies as Specified by Electrical Code

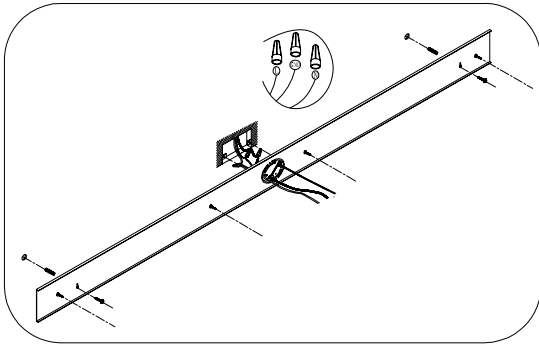


REMOVE THE EXISTING FIXTURE

If there is an existing fixture, remove it. Expose the supply wires from the j-box.

MARK BACKPLATE LOCATION

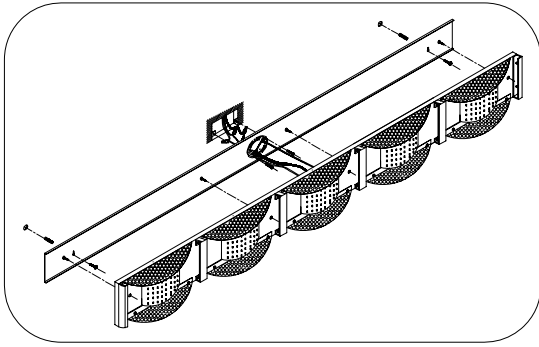
Determine the desired location of your fixture. Hold the back plate up to the surface and mark with a pencil the location of the mounting plugs (small hole on the left and right hand side of the back plate). Drill a hole and insert the mounting plugs into the mounting surface.



2

CONNECT THE WIRES

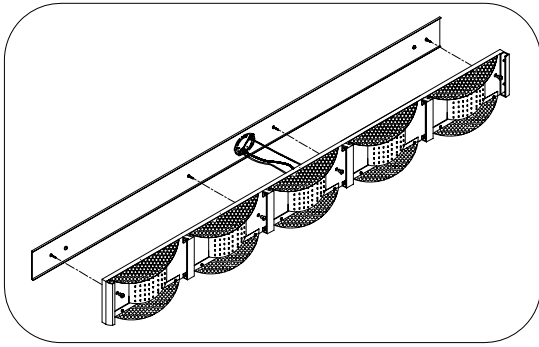
Gently pull the supply wires. Connect the black fixture wire to the black supply wire and the white fixture wire to the white supply wire. Connect the fixture ground wire to the ground wire from the j-box. Secure all connections with the supplied wire connectors and U.L listed electrical tape (not supplied). Tuck all wires carefully into the j-box.



3

MOUNT THE BACK PLATE

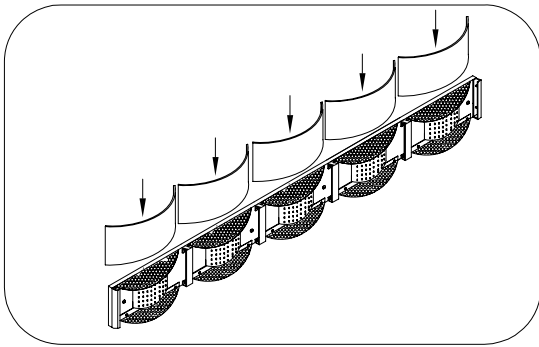
Position the back plate against the wall, secure the back plate to the surface by inserting the inner screws to the J-box. Now insert the next set of screws into the anchors that you have already secured in the wall or surface.



4

SECURE THE FIXTURE

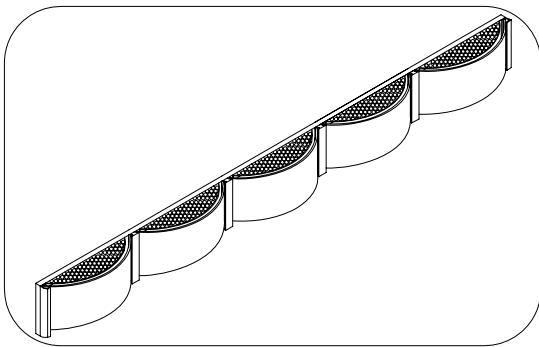
Secure the fixture to the back plate by inserting the screws in the back plate, that are facing forward, through the designated holes in the fixture. Ensure that the fixture is correctly oriented by checking the markings indicating 'up'. Secure with the supplied finials.



5

ATTACH THE GLASS SHADE

Slide the glass shade on to the fixture, inserting it from top to bottom.



6

RESTORE THE ELECTRICITY AND CHECK THE OPERATION OF YOUR NEW ACCESS LIGHTING FIXTURE