

# access

L I G H T I N G

## INSTALLATION INSTRUCTIONS

### IMPORTANT

Before assembling your access lighting fixture, please make sure that you carefully read through these instruction sheets. Consider having your fixture installed by a qualified licensed electrician.

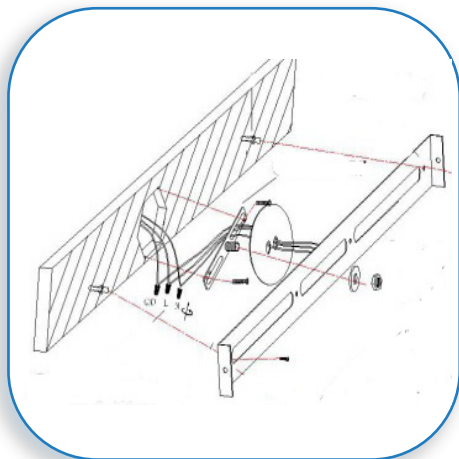
**NOTE:** The important safeguards and instructions that appear in this manual are not meant to cover all possible conditions and situations that may occur. It must be understood that common sense, caution and care, are factors that can't be built into any product. These factors must be supplied by the person(s) caring for and operating the fixture.

### GENERAL INFORMATION

All electrical connections must be in accordance with all ordinances, Local and National Electrical Codes. These fixtures are intended for mounting to a standard 4" x 2 1/2" metal octagon outlet box. The box must be directly supported by the building structure and U.L. Recognized.

### STEP BY STEP INSTRUCTIONS

Before starting your installation disconnect the Power by turning off the Circuit Breaker or by removing the fuse at the fuse box. Just turning the light off at the light switch is not sufficient to prevent electrical shock.



**COLLECTION**  
Vapor

**APPLICATION**  
Wall Fixture

**MODEL NO.**  
62264

### WHAT WE PROVIDE

- Back Plate
- Mounting Hardware
- Front Canopy
- 1 x Floating Canopy
- 1 x Crossbar
- 4 x Glass Shade + Tool
- 4 x 60W Hgn G9 Bulbs

### WHAT YOU NEED

- Screwdriver
- Wire Cutters
- Wiring Supplies as Specified by Electrical Code

### MARK BACKPLATE LOCATION

1

Determine the desired location of your fixture. Hold the back plate up to the surface and mark with a pencil the location of the mounting plugs (small hole on the left and right hand side of the back plate). Drill a hole and insert the mounting plugs into the mounting surface.



2

### MOUNT CROSSBAR

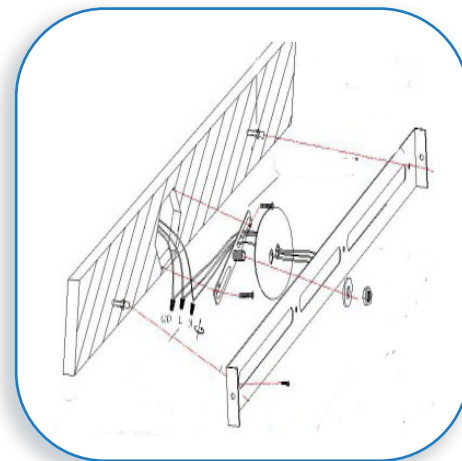
Gently pull the supply wires out of the j-box .  
Mount the crossbar to the J-box with the supplied screws. Feed the fixture wires through the off centered hole in the floating crossbar and then through one of the slits in the crossbar.



3

### MAKE WIRE CONNECTIONS

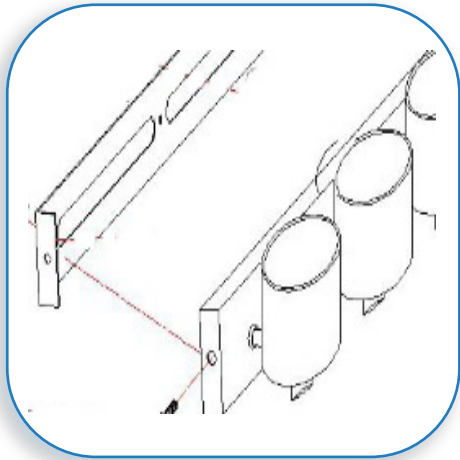
Connect the black supply wire to the black fixture wire. Secure with the supplied wire nuts. Connect the white supply wires to the white fixture wire. Secure with the supplied wire nuts. Either wrap the green wire around one of the protruding screws or connect it to the supply ground wire. Secure all wire with electrical tape (not supplied).  
Tuck all wires carefully into the J-Box.



4

### MOUNT THE BACK PLATE

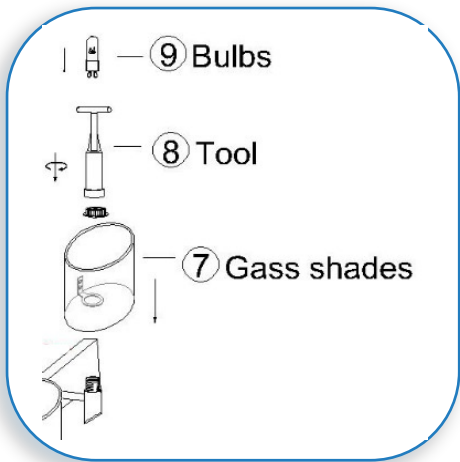
Feed the nipple from the crossbar through the designated hole in the floating canopy. Use the supplied thumb nut to secure the nipple to the back plate. Hold the back plate up to the mounting surface, insert the supplied screws in the mounting plugs and secure the back plate to the mounting surface



5

**SECURE FRONT PLATE**

Hold the front plate up to the back plate. Position the front plate so that it covers the back plate. Align the holes on the sides of the plate and secure by inserting the supplied screws.



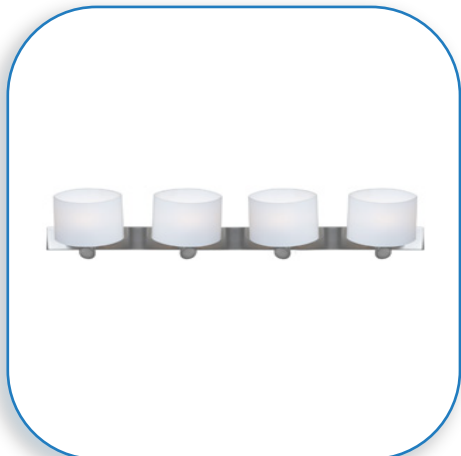
6

**SECURE GLASS - INSERT BULB**

Fit the glass shade over the socket. Using the supplied tool secure the glass with the glass retaining ring.

Insert the supplied bulb into the socket.

DO NOT EXCEED THE RECOMMENDED WATTAGE ON THE LABEL.



7

**RESTORE THE ELECTRICITY AND CHECK THE OPERATION OF YOUR NEW ACCESS FIXTURE**

**CAUTION** Please ensure that the fitting is cool and switched off before replacing the bulb. DO NOT use bulbs that might exceed the maximum wattage, stated on caution label.