

*****READ & SAVE THESE INSTRUCTIONS *****
ACCESS LIGHTING
MODEL 62235
INSTALLATION & OPERATION INSTRUCTIONS

(1) TOOLS AND MATERIALS REQUIRED

- ❖ BLADE SCREW DRIVER
- ❖ WIRE CUTTERS
- ❖ WIRING SUPPLIES AS REQUIRED BY ELECTRICAL CODE
- ❖ 2 x 60W/B10/E12/Candelabra Base Bulb

Attention:

Before assembling your lighting fixture, please read the following instructions. If you feel you do not have sufficient electrical experience, refer to a do-it-yourself wiring handbook or have your fixture installed by a qualified licensed electrician.

(2) GENERAL

1. To ensure the success of the installation, be sure to read these instructions and review the diagrams thoroughly before beginning.
2. All electrical connections must be in accordance with local codes, ordinances, or the National Electrical Code. If you are unfamiliar with methods of installing electrical wiring, secure the services of a qualified licensed electrician.
3. These fixtures are intended for mounting to a standard 4" x 2 1/4" deep metal octagon outlet box. The box must be directly supported by the building structure and U.L. Recognized.
4. Before commencing with the installation, **disconnect the power by turning off the circuit breaker** or by removing the fuse at the fuse box. Turning the power off using the light switch is not sufficient to prevent electrical shock.

NOTE:

The important safeguards and instructions appearing in this manual are not meant to cover all possible conditions and situations that may occur. It must be understood that common sense, caution and care, are factors that cannot be built into any product. These factors must be supplied by the person(s) caring for and operating the fixture.

(3) UNPACKING THE FIXTURE

On checking the contents of the box you will find;

- ❖ Mounting Hardware
- ❖ Universal Crossbar
- ❖ Fixture Back Plate with Socket Assembly
- ❖ 1 x Front Glass Diffuser
- ❖ 1 x Top Glass Diffuser
- ❖ 1 x Bottom Glass
- ❖ 2 x Glass Holders

(4) PREPARE THE FIXTURE

Refer to attached illustration of fixture parts and assembly.

1. If you are replacing an existing fixture disconnect and remove the old fixture. Expose the supply wiring from the outlet box.
2. Place the Supply wires through the center hole in the **Universal Crossbar**. Secure the **Universal Crossbar** to the junction box with the supplied **Mounting Screws (1)**, ensuring that the screws already inserted in the Universal Crossbar face outward from your mounting surface.
3. Connect the **BLACK supply wire** to the **Black wire** of the fixture with supplied **Wire Nuts (2)** ensuring a secure connection.
4. Connect the **WHITE supply wire** to the **White wire** from the fixture a secure with supplied **Wire Nuts (2)**.
5. Attach the **ground (GREEN) wire** from the fixture to the **outlet box ground terminal** (or to the box ground wire).
6. **Secure all wire nuts connections with UL listed electrical tape. Tuck wires carefully into Junction box.**
7. Secure the **Fixture Back Plate** to the **Universal Crossbar** by fitting the **Two Screws** protruding from the **Universal Crossbar** fit into the designated holes in the **Fixture Back Plate**. Secure with the supplied **Nuts (3)**
 - ❖ Insert the **2 x 60W/B10/Candelabra Bulbs (4)**. **DO NOT EXCEED WATTAGE SPECIFIED ON WARNING LABEL.**
8. Attach the **Bottom Glass** to the fixture by aligning the hole in the **Bottom Glass** with the hole in the **Bottom Bracket**. Secure with the supplied **Screw (5)**.
9. Fit the **Front Diffuser (6)** into the **Groove** of the **Bottom Glass Holder**.
10. Attach the **Top Glass (7)** to the fixture by aligning the hole in the **Top Glass (7)** with the hole in the **Top Bracket**. Position the **Front Glass Diffuser** such that it fits into the **Groove** of the **Top Holder**. Secure with the supplied **Screw (8)**.
11. Restore electricity and check the operation of your new lighting fixture.

CAUTION:

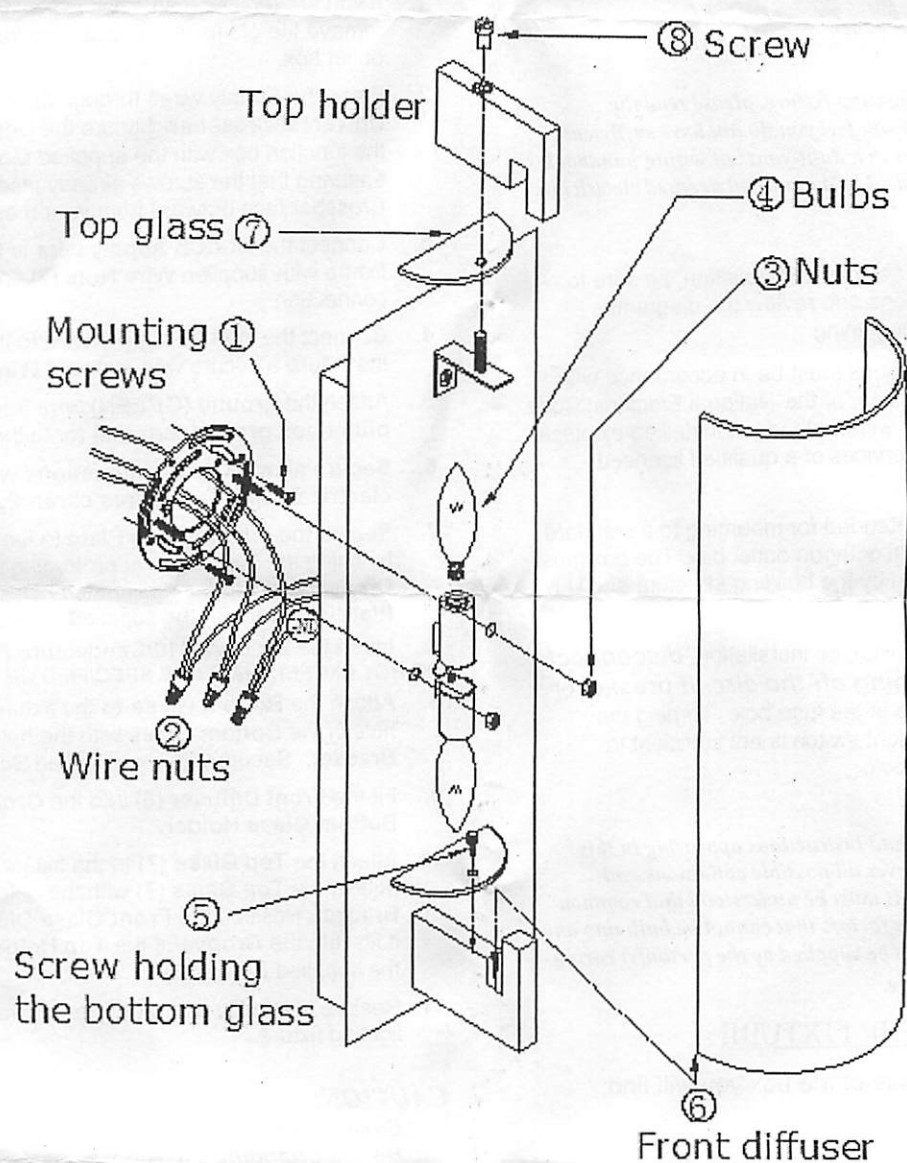
- *Ensure that the Fitting is Cool and Switched off, Before Changing the Bulb.*
- *Do Not use Bulbs Exceeding Maximum Wattage, As Per Caution Label.*
- *Do not place fixture on or near combustible material.*

access

LIGHTING

6308IPV1

MODEL 62235



access

LIGHTING