

# access

L I G H T I N G

## INSTALLATION INSTRUCTIONS

### IMPORTANT

Before assembling your access lighting fixture, please make sure that you carefully read through these instruction sheets. Consider having your fixture installed by a qualified licensed electrician.

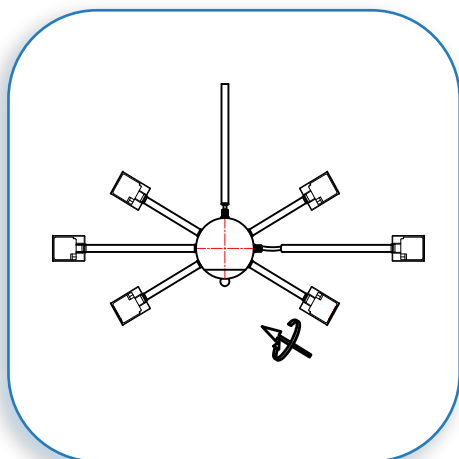
**NOTE:** The important safeguards and instructions that appear in this manual are not meant to cover all possible conditions and situations that may occur. It must be understood that common sense, caution and care, are factors that can't be built into any product. These factors must be supplied by the person(s) caring for and operating the fixture.

### GENERAL INFORMATION

All electrical connections must be in accordance with all ordinances, Local and National Electrical Codes. These fixtures are intended for mounting to a standard 4" x 2 1/2" metal octagon outlet box. The box must be directly supported by the building structure and U.L. Recognized.

### STEP BY STEP INSTRUCTIONS

Before starting your installation disconnect the Power by turning off the Circuit Breaker or by removing the fuse at the fuse box. Just turning the light off at the light switch is not sufficient to prevent electrical shock.



### COLLECTION

FLUX

### APPLICATION

Pendant Fixture

### MODEL NO.

55543

### WHAT WE PROVIDE

- Crossbar
- Mounting Hardware
- 16 x 40W Vintage bulbs

### WHAT YOU NEED

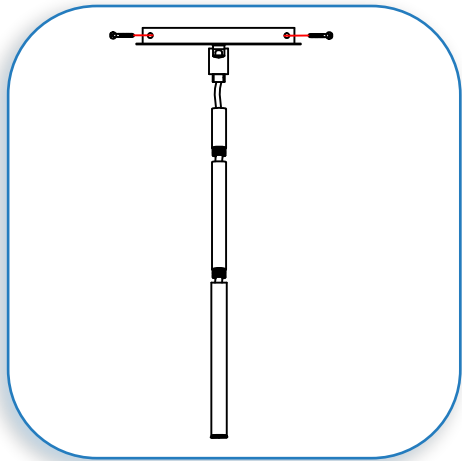
- Screwdriver
- Wire Cutters
- Wiring Supplies as Specified by Electrical Code

# 1

### PREPARE FIXTURE

If there is an existing fixture remove it.

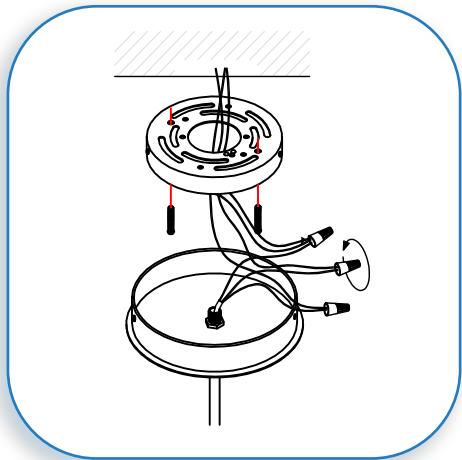
Screw all of the arms into the threaded holes in the center ball.



2

### PREPARE FIXTURE

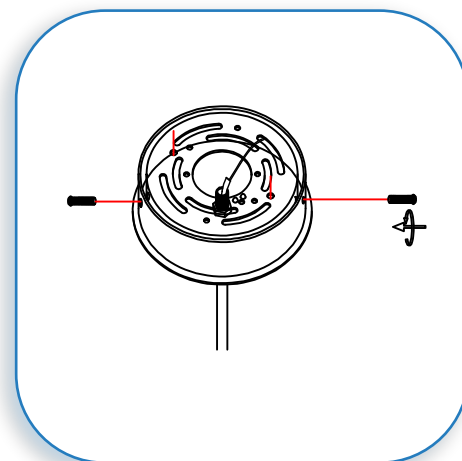
Connect the rods together and secure the top rod by screwing into the threaded sloped ceiling adaptor on the canopy. Feed the wire through each of the rods and finally through the designated hole in the canopy.



3

### MOUNT THE CROSSBAR AND CONNECT THE WIRES

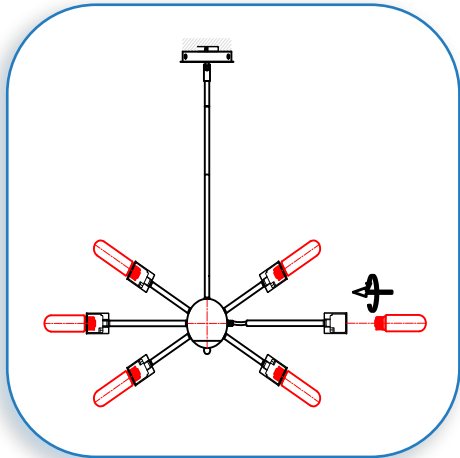
Mount the universal crossbar to the junction box with the supplied screws. Connect the black supply wire to the black fixture wire. Secure with the supplied wire nuts. Connect the white supply wires to the white fixture wire. Secure with the supplied wire nuts. Either wrap the green wire around one of the protruding screws or connect it to the supply ground wire. Secure all wires with U.L. Certified electrical tape (not supplied).



4

### MOUNT THE CANOPY TO CROSSBAR

Fit the fixture canopy up to the crossbar. Align the holes on the sides of the canopy with the holes in extended portion of the crossbar. Secure with the supplied screws.



5

### INSERT THE BULBS

Insert the bulbs .

MAXIMUM WATTAGE 40W.

DO NOT EXCEED THE RECOMMENDED WATTAGE AS STATED ON THE WARNING LABEL AND INSTRUCTION SHEETS.



6

### RESTORE THE ELECTRICITY AND CHECK THE OPERATION OF YOUR NEW ACCESS FIXTURE

## CAUTION

Please ensure that the fitting is cool and switched off before replacing the bulb. DO NOT use bulbs that might exceed the maximum wattage, stated on caution label.