

# access

L I G H T I N G

## INSTALLATION INSTRUCTIONS

### IMPORTANT

Before assembling your access lighting fixture, please make sure that you carefully read through these instruction sheets. Consider having your fixture installed by a qualified licensed electrician.

**NOTE:** The important safeguards and instructions that appear in this manual are not meant to cover all possible conditions and situations that may occur. It must be understood that common sense, caution and care, are factors that can't be built into any product. These factors must be supplied by the person(s) caring for and operating the fixture.

### GENERAL INFORMATION

All electrical connections must be in accordance with all ordinances, Local and National Electrical Codes. These fixtures are intended for mounting to a standard 4" x 2 1/2" metal octagon outlet box. The box must be directly supported by the building structure and U.L. Recognized.

### STEP BY STEP INSTRUCTIONS

Before starting your installation disconnect the Power by turning off the Circuit Breaker or by removing the fuse at the fuse box. Just turning the light off at the light switch is not sufficient to prevent electrical shock.



### COLLECTION

Oracle

### APPLICATION

Pendant

### MODEL NO.

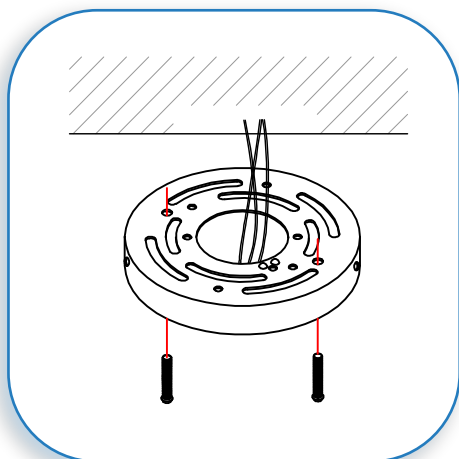
50465/50466

### WHAT WE PROVIDE

- Crossbar
- Mounting Hardware
- Canopy with Fixture
- 6/8 x 48W Xenon G9

### WHAT YOU NEED

- Screwdriver
- Wire Cutters
- Wiring Supplies as Specified by Electrical Code



### MOUNT THE CROSSBAR

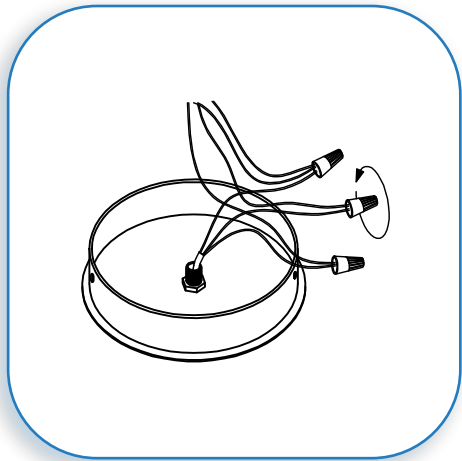
1

If there is an existing fixture remove it.

Expose the supply wire from the outlet box .

Determine the desired length of your fixture.

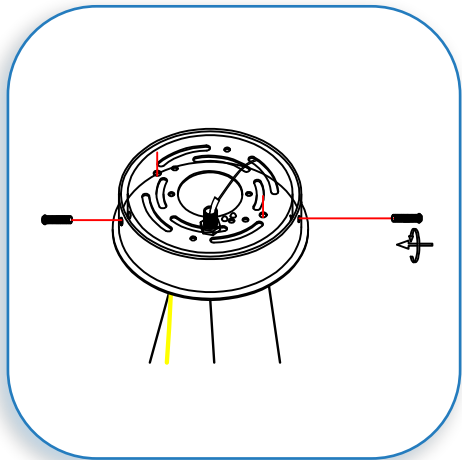
Mount the crossbar to the J-Box with the supplied screws.



2

### CONNECT THE WIRES

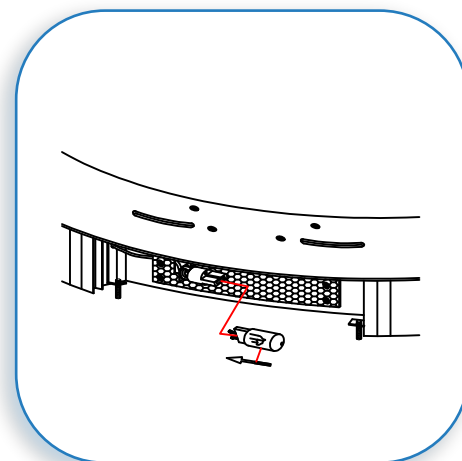
Gently pull the supply wires out from the J-box.  
 Connect the black supply wire to the black fixture wire. Secure with the supplied wire nuts. Connect the white supply wires to the white fixture wire. Secure with the supplied wire nuts. Either wrap the green wire around one of the protruding screws or connect it to the supply ground wire. Secure all wires with U.L. Certified electrical tape (not supplied).  
 Tuck all wires carefully into the J-Box.



3

### MOUNT THE CANOPY

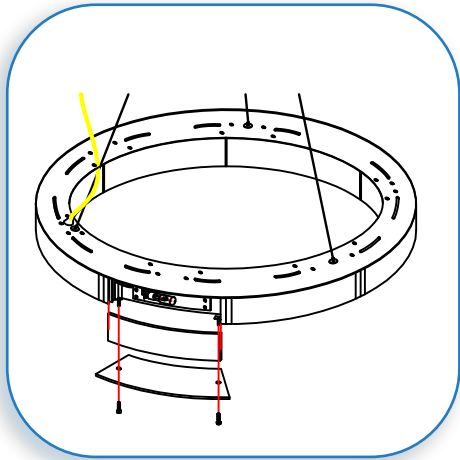
Fit the fixture canopy up to the crossbar. Align the holes in the sides of the canopy with the designated holes in the sides of the crossbar. Using the supplied screws secure the canopy to the crossbar.



4

### INSERT THE BULBS

Insert the bulbs .  
 MAXIMUM WATTAGE 50W.  
 DO NOT EXCEED THE RECOMMENDED WATTAGE AS STATED ON THE WARNING LABEL AND INSTRUCTION SHEETS.



5

### SECURE GLASS SHADE

Install the side and bottom glass shade and secure with the supplied screws.



6

### RESTORE THE ELECTRICITY AND CHECK THE OPERATION OF YOUR NEW ACCESS FIXTURE

## CAUTION

Please ensure that the fitting is cool and switched off before replacing the bulb. DO NOT use bulbs that might exceed the maximum wattage, stated on caution label.