

# access

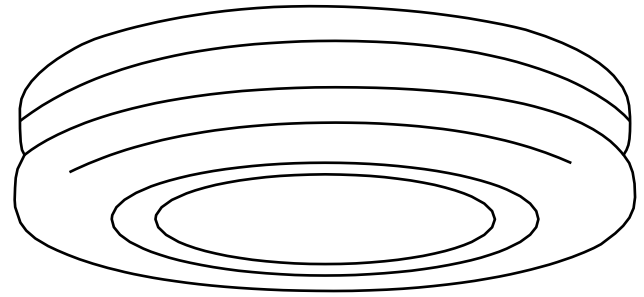
LIGHTING

## INSTALLATION INSTRUCTIONS

### IMPORTANT

Before assembling your access lighting fixture, please make sure that you carefully read through these instruction sheets. Consider having your fixture installed by a qualified licensed electrician.

NOTE: The important safeguards and instructions that appear in this manual are not meant to cover all possible conditions and situations that may occur. It must be understood that common sense, caution and care, are factors that can't be built into any product. These factors must be supplied by the person(s) caring for and operating the fixture.



### GENERAL INFORMATION

All electrical connections must be in accordance with all ordinances, Local and National Electrical Codes. These fixtures are intended for mounting to a standard 4" x 2 1/2" metal octagon outlet box. The box must be directly supported by the building structure and U.L. Recognized.

### STEP BY STEP INSTRUCTIONS

Before starting your installation disconnect the Power by turning off the Circuit Breaker or by removing the fuse at the fuse box. Just turning the light off at the light switch is not sufficient to prevent electrical shock

**COLLECTION**  
Altum

**APPLICATION**  
Flush Mount

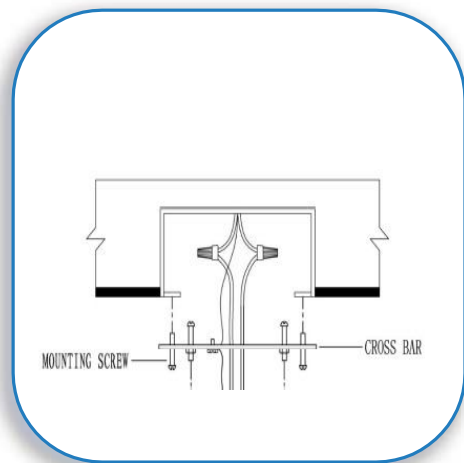
**MODEL NO.**  
50186LEDDL

### WHAT WE PROVIDE

- Crossbar
- Mounting Hardware
- Canopy with Sockets
- 1 x Glass Shade
- 1 x A19 E-26 LED Bulb

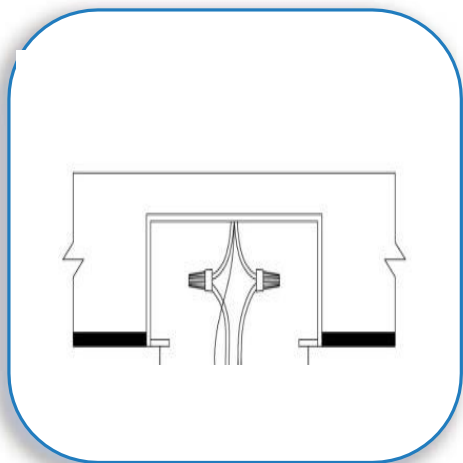
### WHAT YOU NEED

- Screwdriver
- Wire Cutters
- Wiring Supplies as Specified by Electrical Code



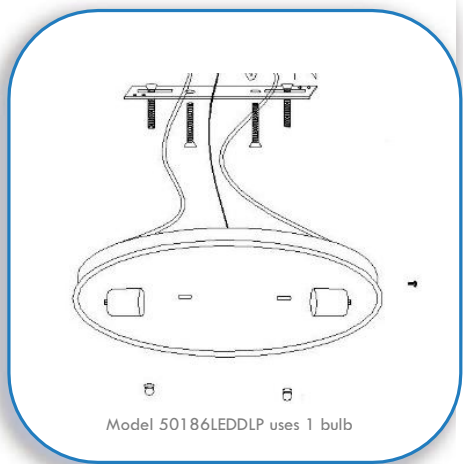
### PREPARE FIXTURE

- If there is an existing fixture remove it.
- Expose the supply wire from the outlet box.
- Secure the crossbar to the J-box with the supplied screws.
- Ensure that the additional screws face downward.



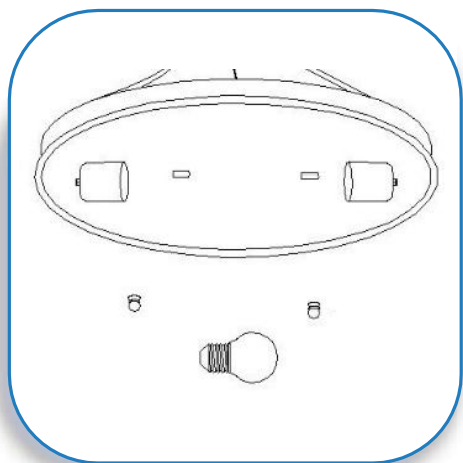
**CONNECT THE WIRES**

Connect the black supply wire to the black fixture wire. Secure with the supplied wire nuts. Connect the white supply wires to the white fixture wire. Secure with the supplied wire nuts. Either wrap the green wire around one of the protruding screws or connect it to the supply ground wire. Secure all wires with U.L. Certified electrical tape (not supplied). Tuck all wires carefully into the J-Box.



**MOUNT THE CANOPY**

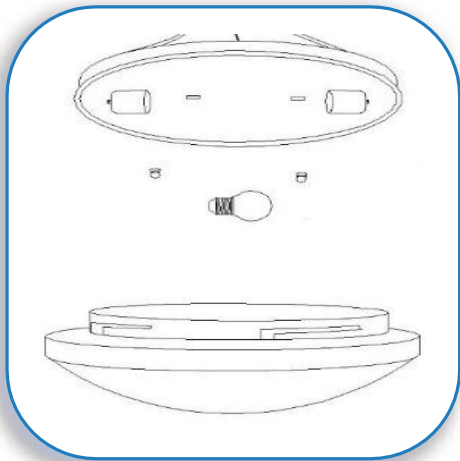
Fit the fixture canopy up to the crossbar. Insert the hanging screws into the designated holes in the canopy. Secure with the supplied thumb screws.



**INSERT THE BULB**

Insert the bulb.  
DO NOT EXCEED THE RECOMMENDED WATTAGE AS STATED ON THE WARNING LABEL.

4



### SECURE GLASS SHADE

Hold the glass shade up to the canopy. Rotate the glass so that the glass is secured to the canopy.



### RESTORE THE ELECTRICITY AND CHECK THE OPERATION OF YOUR NEW ACCESS FIXTURE

CAUTION

Please ensure that the fitting is cool and switched off before replacing the bulb. DO NOT use bulbs that might exceed the maximum wattage, stated on caution label.