

# access

## LIGHTING

### INSTALLATION INSTRUCTIONS

#### IMPORTANT

Before assembling your ACCESS LIGHTING fixture, please make sure that you carefully read through this instruction sheet.

CONSULT A QUALIFIED ELECTRICIAN TO ENSURE CORRECT BRANCH CIRCUIT CONDUCTOR.

CONSULTER UN ELECTRICIEN QUALIFIE POUR VOUS ASSURER QUE LES CONDUCTEURS DE LA DERIVATION SONT ADEQUATS

THIS PRODUCT MUST BE INSTALLED IN ACCORDANCE WITH THE APPLICABLE INSTALLATION CODE BY A PERSON FAMILIAR WITH THE CONSTRUCTION AND OPERATION OF THE PRODUCT AND THE HAZARDS INVOLVED.

CE PRODUIT DOIT ETRE INSTALLE SELON LE CODE D'INSTALLATION PERTINENT, PAR UNE PERSONNE QUI CONNAIT BIEN LE PRODUIT ET SON FONCTIONNEMENT AINSI QUE LES RISQUES INHERENTS

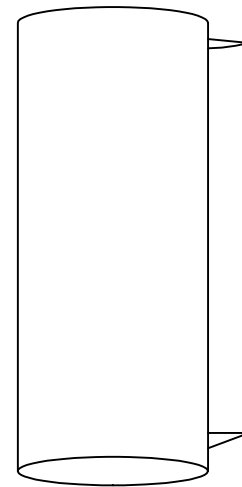
**NOTE:** The important safeguards and instructions that appear in this manual are not meant to cover all possible conditions and situations that may occur. It must be understood that common sense, caution and care, are factors that can't be built into any product. These factors must be supplied by the person(s) caring for and operating the fixture.

#### GENERAL INFORMATION

All electrical connections must be in accordance with all ordinances, Local and National Electrical Codes. These fixtures are intended for mounting to a standard 4" x 2 1/2" metal octagon outlet box. The box must be directly supported by the building structure and U.L. Recognized.

#### STEP BY STEP INSTRUCTIONS

Before starting your installation disconnect the Power by turning off the Circuit Breaker or by removing the fuse at the fuse box. Just turning the light off at the light switch is not sufficient to prevent electrical shock.



#### COLLECTION

Tabo

#### APPLICATION

Wall Fixture

#### MODEL NO.

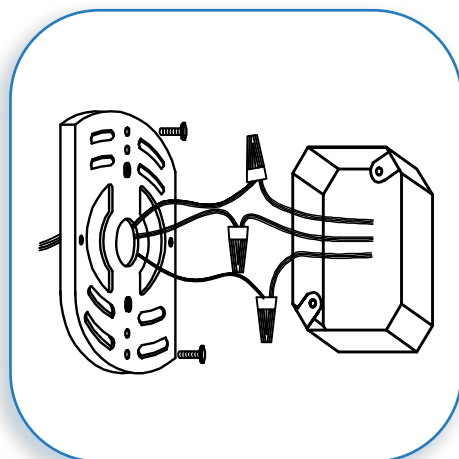
50183  
50184  
50185

#### WHAT WE PROVIDE

- Crossbar
- Mounting Hardware
- Back Plate
- Metal bar
- 1 x Glass Shade

#### WHAT YOU NEED

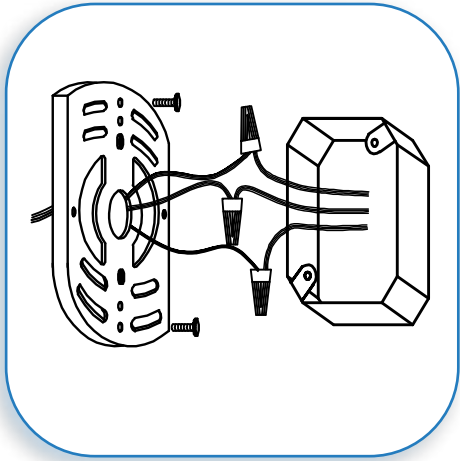
- Screwdriver
- Wire Cutters
- Wiring Supplies as Specified by Electrical Code
- 2 x 60W/E12/Candelabra



# 1

#### MOUNT CROSSBAR

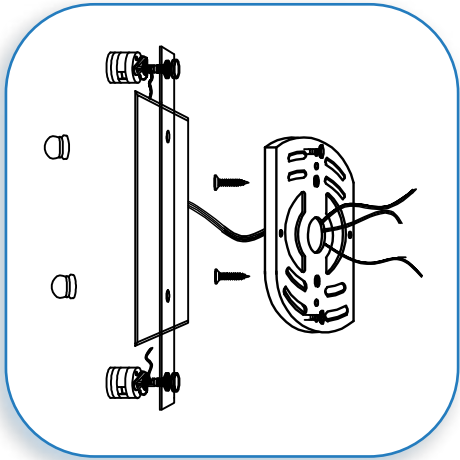
If there is an existing fixture remove it. Expose the supply wires from the j-box. Mount the crossbar to the j-box. Gently pull the wires through the center hole in the crossbar.



2

### CONNECT THE WIRES

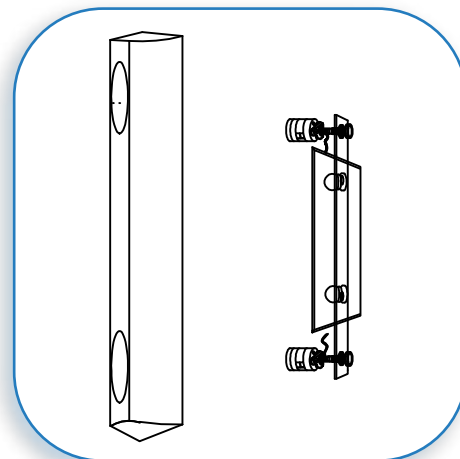
Gently pull the supply wires. Connect the black supply wire to the black fixture wire. Secure with the supplied wire nuts. Connect the white supply wire to the white fixture wire. Secure with the supplied wire nuts. Either wrap the green wire around one of the protruding screws or connect it to the supply ground wire. Secure all wires with electrical U.L. Certified electrical tape (not supplied). Tuck all wires carefully into the J-box.



3

### MOUNT THE BACK PLATE

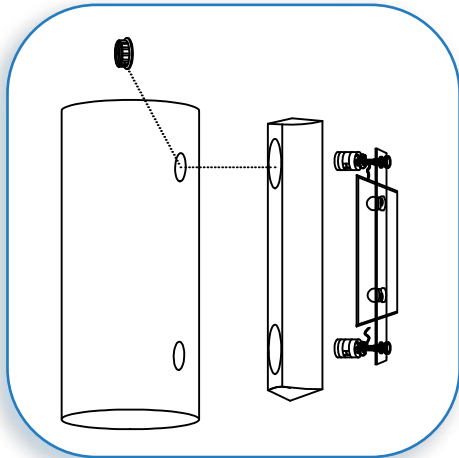
Align the holes in the back plate with the protruding screws from the crossbar. Insert the screws through the holes in the back plate and secure with the supplied thumb nuts.



4

### MOUNT THE METAL BAR

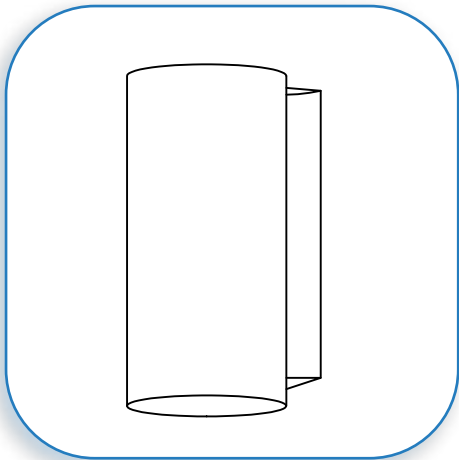
Place the metal bar up to the back plate inserting the sockets into the designated holes in the metal bar.



5

### SECURE THE GLASS SHADE

Secure the glass shade to the fixture, by aligning the holes the glass with the sockets. Insert the sockets into the glass. Secure with the supplied socket ring. Insert the bulbs. **MAXIMUM WATTAGE 60W. DO NOT EXCEED THE MAXIMUM WATTAGE AS STATED ON THE WARNING LABEL AND INSTRUCTION SHEETS.**



6

### RESTORE THE ELECTRICITY AND CHECK THE OPERATION OF YOUR NEW ACCESS LIGHTING FIXTURE

#### CAUTION

Please ensure that the fitting is cool and switched off before replacing the bulb. **DO NOT** use bulbs that might exceed the maximum wattage, stated on caution label.