



INSTALLATION INSTRUCTIONS

IMPORTANT SAFETY INSTRUCTIONS

MESURES DE SECURITE A RESPECTURE

Before assembling your ACCESS LIGHTING fixture, please make sure that you carefully read through this instruction sheet. Save this instruction sheet and refer to it when additions to or changes in the fixture configuration are made.

Lisez attentivement ce manuel d'instructions. Enregistrer cette feuille d'instructions et de s'y référer lorsque les ajouts ou changements dans la configuration de montage sont faites.

CONSULT A QUALIFIED ELECTRICIAN TO ENSURE CORRECT BRANCH CIRCUIT CONDUCTOR.

CONSULTER UN ELECTRICIEN QUALIFIE POUR VOUS ASSURER QUE LES CONDUCTEURS DE LA DERIVATION SONT ADEQUATS

THIS PRODUCT MUST BE INSTALLED IN ACCORDANCE WITH THE APPLICABLE INSTALLATION CODE BY A PERSON FAMILIAR WITH THE CONSTRUCTION AND OPERATION OF THE PRODUCT AND THE HAZARDS INVOLVED.

CE PRODUIT DOIT ETRE INSTALLE SELON LE CODE D'INSTALLATION PERTINENT, PAR UNE PERSONNE QUI CONNAIT BIEN LE PRODUIT ET SON FONCTIONNEMENT AINSI QUE LES RISQUES INHERENTS

NOTE: The important safeguards and instructions that appear in this manual are not meant to cover all possible conditions and situations that may occur. It must be understood that common sense, caution and care, are factors that can't be built into any product. These factors must be supplied by the person(s) caring for and operating the fixture.

Read all instructions

Do not install this fixture in hazardous locations.

N'installez pas cet appareil dans des emplacements dangereux.

Do not install any fixture assembly closer than 6 inches from any curtain or similar combustible material.

Laissez une distance d'au moins 6 pouces entre ce luminaire et la toute surface combustible.

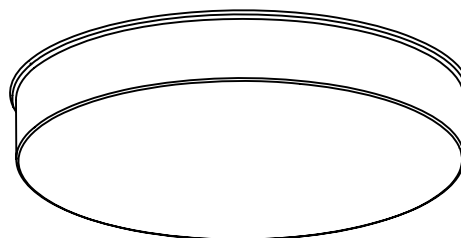
"WARNING: Risk of Fire and Electric Shock."

"CAUTION: Risque d'Incendie et de Choc Electriques."

GENERAL INFORMATION

All electrical connections must be in accordance with all ordinances, Local and the U.S. National Electrical Codes (NEC). These fixtures are intended for mounting to a standard 4" metal octagon outlet box.

The box must be directly supported by the building structure and U.L. Recognized.



COLLECTION

ILLUMI

APPLICATION

Ceiling Fixture

MODEL NO.

50039LEDD

WHAT WE PROVIDE

- Mounting plate
- Mounting Hardware
- Fixture assembly
- 16W LED

WHAT YOU NEED

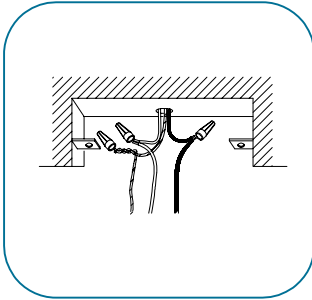
- Screwdriver
- Wire Cutters
- Wiring Supplies as Specified by Electrical Code

Recommended Dimmer Information for Model

- Lutron MACL-153MH(Maestro)
- Lutron DVWCL-153PH(Diva)
- Lutron MACL-153MR-WH-C(Maestro)
- Lutron DVELV-300P-WH(Diva)
- Lutron SCL-153P-WH(\$klark)
- Lutron DVCL-153P-WH(Diva)
- Lutron DVLV-103P-WH(Diva)
- Legrand ADTH700RMTUM1(Touch)
- Leviton R02-DZMX1-12A

STEP BY STEP INSTRUCTIONS

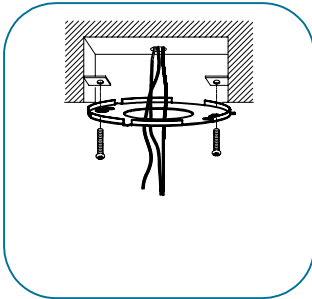
Before starting your installation disconnect the Power by turning off the Circuit Breaker or by removing the fuse at the fuse box. Just turning the light off at the light switch is not sufficient to prevent electrical shock.



1

REMOVE THE EXISTING FIXTURE

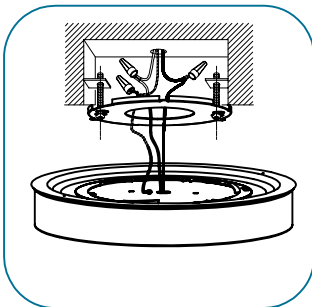
If there is an existing fixture, remove it. Expose the supply wires from the j-box.



2

MOUNT PLATE

Insert the supplied screws into the keyhole of the plate, align the keyholes on the plate with the screw holes of the J-Box, and secure the plate against the ceiling.



3

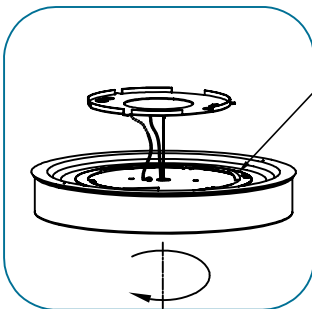
CONNECT THE WIRES

Gently pull the supply wires. Connect the black fixture wire to the black supply wire and the white fixture wire to the white supply wire.

Connect the fixture ground wire to the ground wire from the J-Box.

Secure all connections with the supplied wire connectors and U.L.

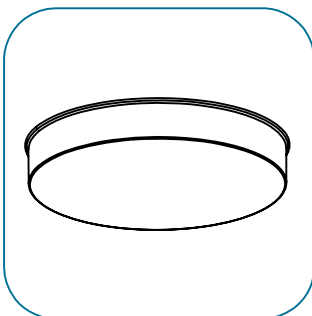
listed electrical tape (not supplied). Tuck all wires carefully into the J-Box.



4

MOUNT FIXTURE

Aim the track slot on the fixture at three clip feet of the plate, and rotate it clockwise until it does not turn. Rotate it counterclockwise to take off the fixture.



5

RESTORE THE ELECTRICITY AND

CHECK THE OPERATION OF YOUR

NEW ACCESS LIGHTING FIXTURE

