

# access

LIGHTING

## INSTALLATION INSTRUCTIONS

### IMPORTANT

Before assembling your access lighting fixture, please make sure that you carefully read through these instruction sheets. Consider having your fixture installed by a qualified licensed electrician.

**NOTE:** The important safeguards and instructions that appear in the manual are not meant to cover all possible conditions and situations that may occur. It must be understood that common sense, caution and care are factors that can't be built into any product. These factors must be supplied by the person(s) caring for and operating the fixture.

### GENERAL INFORMATION

All electrical connections must be in accordance with all ordinances, Local and National Electrical Codes. These fixtures are intended for mounting to standard 4" x 2 1/2" metal octagon outlet box. The box must be directly supported by the building structure and U.L. Recognized.

### STEP-BY-STEP INSTRUCTIONS

Before starting your installation disconnect the Power by turning off the Circuit Breaker or by removing the fuse at the fuse box. Just turning the light off at the light switch is not sufficient to prevent electrical shock.



**COLLECTION**  
Vail

**APPLICATION**  
Wall Vanity  
(Dimmable)

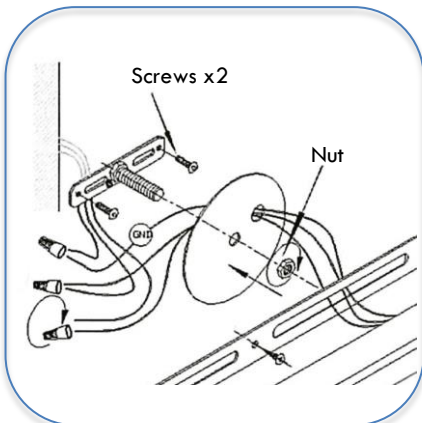
**MODEL NO.**  
31002,03,06,07  
LEDD

### WHAT WE PROVIDE

- Back Plate
- Mounting Hardware
- 1 x Glass Shade
- LED Module

### WHAT YOU NEED

- Screwdriver
- Wire Cutters
- Wiring Supplies as Specified by the Electrical Code

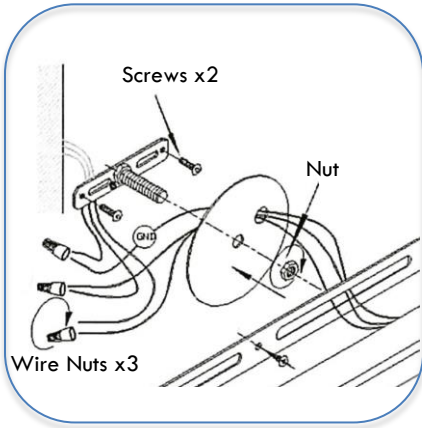


# 1

### PREPARE FIXTURE

If there is an existing fixture remove it. Expose the supply wire from the outer box. Secure the crossbar to the J-box with the supplied screws. Make sure that the Nipple already inserted into the Crossbar faces outward.

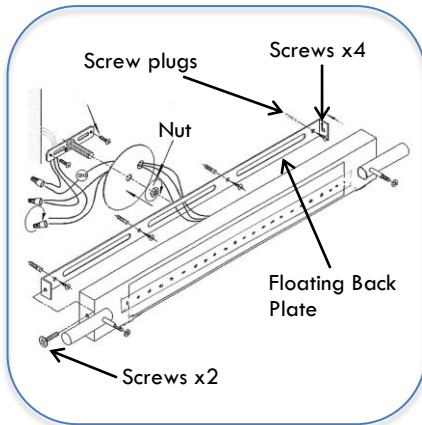
Fit the Fixture Wires through the outer hole in the Metal Plate.



2

### CONNECT THE WIRES

Connect the black supply wire to the black fixture wire. Secure with the supplied wire nuts. Connect the white supply wires to the fixture wire. Secure with the supplied wire nuts. Attach the ground green wire from the fixture to the outlet box ground terminal (or to the box ground wire) Secure all wire with U.L Certified electrical tape (not supplied). Tuck all wires carefully into the J-box.



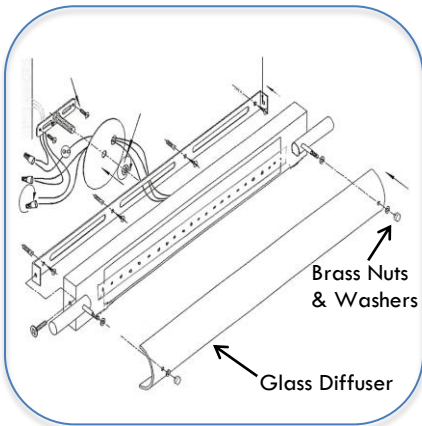
3

### MOUNT THE CANOPY

Determine the best location for your fixture. Position the Floating Back Plate as desired, mark screw holes with a pencil and then drill holes. Place the supplied Screw Plugs into the holes. Insert Nipple through the Center Hole in the Metal Plate. Now fit the Nipple through the closest hole available in the Floating Back Plate. Secure with the supplied Nut.

Secure the Floating Back Plate to the wall with the supplied Screws.

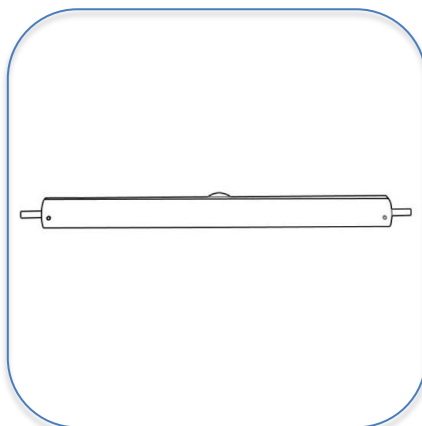
Fit the Fixture Plate over the Floating Back Plate ensuring that the two holes on either end of both plates are aligned. Secure with the supplied Screws.



4

### SECURE THE GLASS SHADE

Secure the Glass Diffuser by fitting the Screws on the face of the Fixture Plate through the holes allocated in the Glass Diffuser. Secure with the supplied Brass Nuts and Washers.



5

### RESTORE THE ELECTRICITY AND CHECK THE OPERATION OF YOUR NEW ACCESS LIGHTING FIXTURE

CAUTION

If the fixture is to be removed or replaced, please ensure that the electricity is switched off and that the fitting is cool before touching it.