



# INSTALLATION INSTRUCTIONS

## IMPORTANT

Before assembling your access lighting fixture, please make sure that you carefully read through these instruction sheets. Consider having your fixture installed by a qualified licensed electrician.

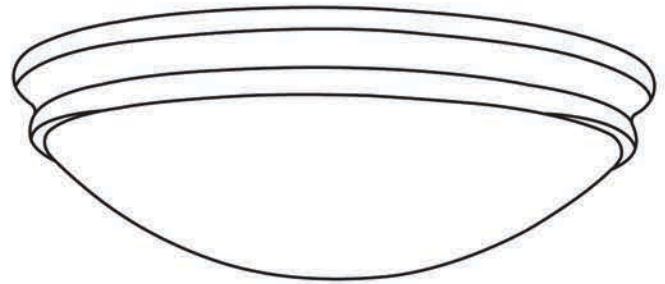
**NOTE:** The important safeguards and instructions that appear in this manual are not meant to cover all possible conditions and situations that may occur. It must be understood that common sense, caution and care, are factors that can't be built into any product. These factors must be supplied by the person(s) caring for and operating the fixture.

## GENERAL INFORMATION

All electrical connections must be in accordance with all ordinances, Local and National Electrical Codes. These fixtures are intended for mounting to a standard 4" x 2 1/2" metal octagon outlet box. The box must be directly supported by the building structure and U.L. Recognized.

## STEP BY STEP INSTRUCTIONS

Before starting your installation disconnect the Power by turning off the Circuit Breaker or by removing the fuse at the fuse box. Just turning the light off at the light switch is not sufficient to prevent electrical shock.



### COLLECTION

Atom

### APPLICATION

Ceiling Fixture

### MODEL NO.

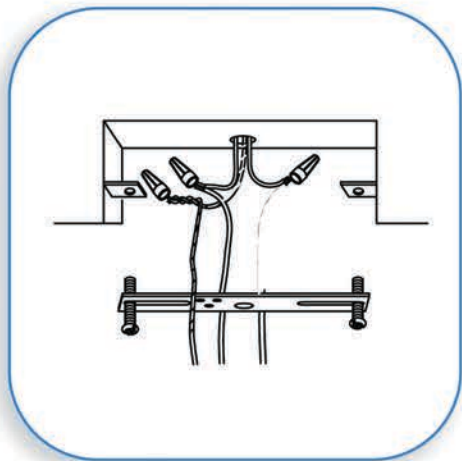
20724, 20725, 20726LEDD

### WHAT WE PROVIDE

- Crossbar
- Mounting Hardware
- Fixture
- 1 x Glass Shade
- LED Module

### WHAT YOU NEED

- Screwdriver
- Wire Cutters
- Wiring Supplies as Specified by Electrical Code



### MOUNT CROSSBAR

1

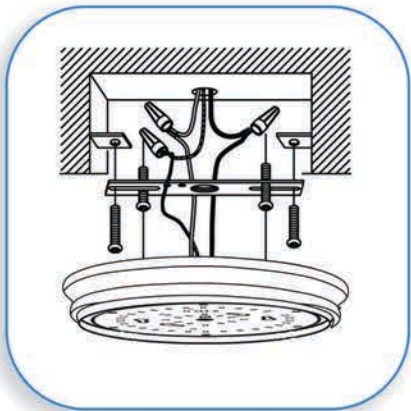
If there is an existing fixture remove it. Expose the supply wires from the j-box. Mount the supplied crossbar to the J-Box.



2

**CONNECT THE WIRES**

Gently pull the supply wires. Connect the black fixture wire to the black supply wire and the white fixture wire to the white supply wire. Connect the fixture ground wire to the J-Box ground wire. Secure all connections with the supplied wire caps. Tuck all wires carefully into the J-Box.



3

**MOUNT THE CEILING PAN**

Insert the supplied long screws into the holes on the crossbar. Align the keyholes on the ceiling pan then secure the ceiling pan flush against the ceiling.



4

**ATTACH THE GLASS SHADE**

Put the neck of the glass shade in place by inserting dimples located in the fixture, revolve the glass shade until tight fit.



5

**RESTORE THE ELECTRICITY AND CHECK THE OPERATION OF YOUR NEW ACCESS FIXTURE**

**CAUTION** Please ensure that the fitting is cool and switched off before replacing the bulb. DO NOT use bulbs that might exceed the maximum wattage, stated on caution label.