

# access

## LIGHTING

### INSTALLATION INSTRUCTIONS

#### IMPORTANT SAFETY INSTRUCTIONS MESURES DE SECURITE A RESPECTURE

Before assembling your ACCESS LIGHTING fixture, please make sure that you carefully read through this instruction sheet. Save this instruction sheet and refer to it when additions to or changes in the fixture configuration are made. Lisez attentivement ce manuel d'instructions. Enregistrer cette feuille d'instructions et de s'y référer lorsque les ajouts ou changements dans la configuration de montage sont faites.

CONSULT A QUALIFIED ELECTRICIAN TO ENSURE CORRECT BRANCH CIRCUIT CONDUCTOR.

CONSULTER UN ELECTRICIEN QUALIFIE POUR VOUS ASSURER QUE LES CONDUCTEURS DE LA DERIVATION SONT ADEQUATS  
THIS PRODUCT MUST BE INSTALLED IN ACCORDANCE WITH THE APPLICABLE INSTALLATION CODE BY A PERSON FAMILIAR WITH THE CONSTRUCTION AND OPERATION OF THE PRODUCT AND THE HAZARDS INVOLVED.

CE PRODUIT DOIT ETRE INSTALLE SELON LE CODE D'INSTALLATION PERTINENT, PAR UNE PERSONNE QUI CONNAIT BIEN LE PRODUIT ET SON FONCTIONNEMENT AINSI QUE LES RISQUES INHERENTS

**NOTE:** The important safeguards and instructions that appear in this manual are not meant to cover all possible conditions and situations that may occur. It must be understood that common sense, caution and care, are factors that can't be built into any product. These factors must be supplied by the person(s) caring for and operating the fixture.

Read all instructions

Do not install this fixture in hazardous locations.

N'installez pas cet appareil dans des emplacements dangereux. Do not install any fixture assembly closer than 6 inches from any curtain or similar combustible material.

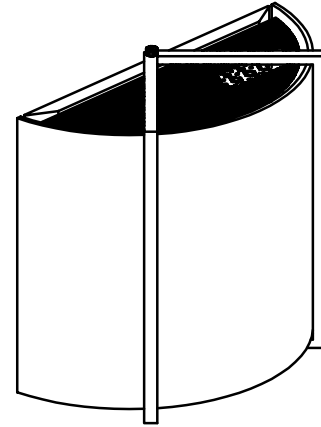
Laissez une distance d'au moins 6 pouces entre ce luminaire et la toute surface combustible.

"WARNING Risk of Fire and Electric Shock."

"CAUTION: Risque d' Incendie et de Choc Electriques."

#### GENERAL INFORMATION

All electrical connections must be in accordance with all ordinances, Local and the U.S. National Electrical Codes (NEC). These fixtures are intended for mounting to a standard 4" metal octagon outlet box. The box must be directly supported by the building structure and U.L. recognized.



**COLLECTION**  
VECTOR

**APPLICATION**  
Wall Fixture

**MODEL NO.**  
20451LEDSWAD

Philips Hue connects to other smart devices and services (e.g. voice control), which is enabled by the Philips Hue bridge. *(Sold Separately)*



#### WHAT WE PROVIDE

- Mounting Hardware
- Fixture Assembly
- Crossbar plate
- 1 x Glass shade
- LED Module
- Wireless Dimmer (See additional manual for use and troubleshooting)

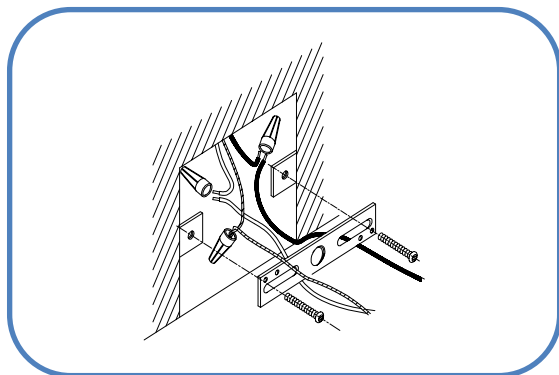
#### WHAT YOU NEED

- Screwdriver
- Wire Cutters
- Wiring Supplies as Specified by Electrical Code

#### STEP BY STEP INSTRUCTIONS

Before starting your installation disconnect the Power by turning off the Circuit Breaker or by removing the fuse at the fuse box. Just turning the light off at the light switch is not sufficient to prevent electrical shock.

**During installation of this fixture please do not touch the LEDs or RF module. Touching may result in unwanted operation of the Lighting Fixture**

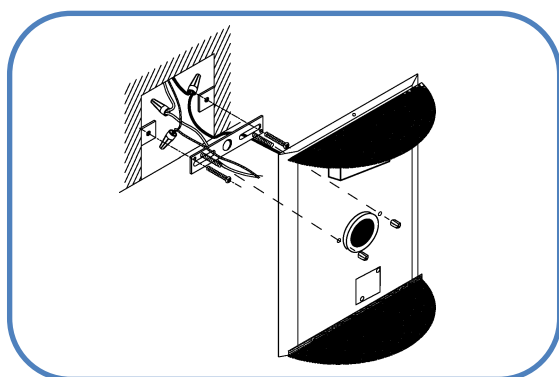


1

### MOUNT CROSSBAR AND MAKE WIRE CONNECTIONS

If there is an existing fixture remove it. Expose the supply wires from the J-box. Secure the crossbar to the J-box with the supplied mounting screws ensuring that the two screws attached to the back plate face downwards, away from the mounting surface. Gently pull the supply wires through the center hole in the back plate.

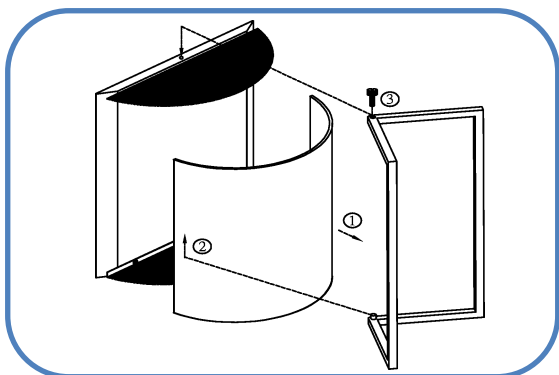
Connect the black supply wire to the black fixture wire. Secure with the supplied wire nuts. Connect the white supply wire to the white fixture wire. Secure with the supplied wire nuts. Attach the green J-Box wire around green hexagonal head screw or connect it to the grounding wire of the fixture. Secure all wires with electrical tape (not supplied). Tuck all wires carefully into the J-box.



2

### MOUNT THE FIXTURE TO THE CROSSBAR PLATE

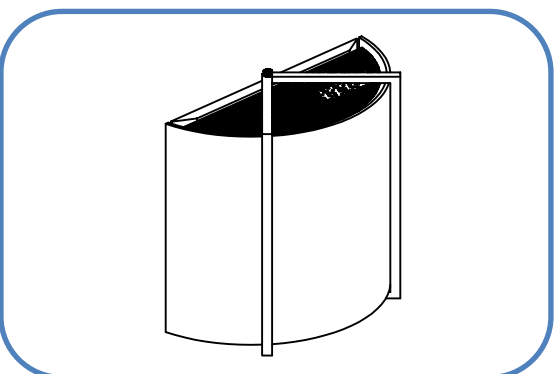
Position the fixture plate over the crossbar plate. Align the holes at the center of the plates. Secure with the supplied screws.



3

### SECURE THE GLASS SHADE AND FRAME

Place the glass shade and frame to the plate. Align the hole at the top centre and secure with the supplied screws.



4

### RESTORE THE ELECTRICITY AND CHECK THE OPERATION OF YOUR NEW ACCESS LIGHTING FIXTURE

**CAUTION**

If this fixture is to be removed or replaced, please ensure that the electricity is switched off and that the fitting is cool before touching it.