

*****READ & SAVE THESE INSTRUCTIONS *****
MODEL 20444
INSTALLATION & OPERATION INSTRUCTIONS

1) TOOLS AND MATERIALS REQUIRED

- ❖ Blade Screwdriver
- ❖ Star Screwdriver
- ❖ Wire Cutters
- ❖ Wiring supplies as required by Electrical Code
- ❖ 2 x A-19/60W Lamp (medium base)

Attention:

Before assembling your lighting fixture, please read the following instructions.

(2) GENERAL

1. To ensure the success of the installation, be sure to read these instructions thoroughly before beginning.
2. All electrical connections must be in accordance with local codes, ordinances, or the National Electrical Code. If you are unfamiliar with methods of installing electrical wiring, secure the services of a qualified licensed electrician.
3. These fixtures are intended for mounting to a standard 4" x 2 1/4" deep metal octagon outlet box. The box must be directly supported by the building structure and U.L. Recognized.
4. Before commencing with the installation, **disconnect the power by turning off the circuit breaker** or by removing the fuse at the fuse box. Turning the power off using the light switch is not sufficient to prevent electrical shock.

NOTE:

The important safeguards and instructions appearing in this manual are not meant to cover all possible conditions and situations that may occur. It must be understood that common sense, caution and care, are factors that cannot be built into any product. The person(s) caring for and operating the fixture must supply these factors.

(3) UNPACKING THE FIXTURE

On checking the contents of the box you will find;

1. Fixture assembly
2. Hardware packet

CAUTION:

- **Ensure that the Fitting is Cool and Switched off, Before Changing Bulbs.**
- **Do Not use Bulbs Exceeding Maximum Wattage as Per Caution Label.**
- **Do Not Touch the Bulb while fixture is in operation**
- **Do not place the fixture on or near combustible materials**

(4) PREPARE THE FIXTURE

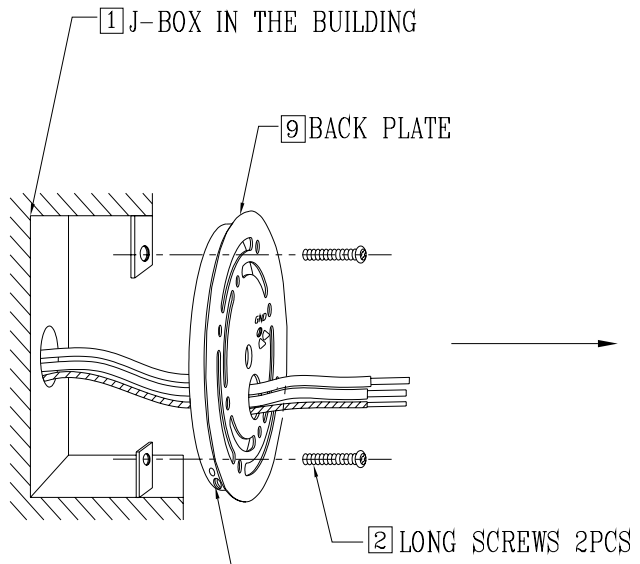
1. If you are replacing an existing fixture, disconnect and remove the old fixture. Expose the supply wiring from the j-box (1) and pass the wire through the designated hole on the back plate (9) .
2. Lay the un-assembled fixture on a soft surface and carefully remove all the packing material.
3. Use the two supplied long screws (2) to mount the back plate (9) to the J-box (1). Ensure that the small hole located on the edge of the back plate (9) faces down or south, thus allowing potential water to drain downwards.
4. Connect the Black wire from the fixture to the Black supply wire and the White fixture wire to the White supply wire, fasten securely with supplied wire nuts (4) and secure wire nuts (4) with UL listed electrical tape (not supplied).
5. Connect the ground wire from the fixture to the electrical supply ground wire and secure wire connections with supplied wire nut (8), or attach the ground wire directly to the ground screw on the universal crossbar. Tuck all wires carefully into the j-box (1).
6. Place the fixture canopy over the back plate (9), such that the fixture (10) is flush against the wall. Secure with the supplied short screws (5).
7. Screw in 2 X E-26 based bulbs (medium base) one each, into the top and bottom socket.

DO NOT EXCEED MAXIMUM WATTAGE AS STATED ON WARNING LABEL

8. Restore electricity and turn on light.

a c c e s s
L I G H T I N G

FIGURE 1



WHEN INSTALL THE FIXTURE, THE THREAD HOLE ON SIDE EDGE OF BACK PLATE SHOULD BE DOWNWARD VERTICALLY.

FIGURE 2

