

access
LIGHTING



INSTALLATION INSTRUCTIONS

IMPORTANT

Before assembling your ACCESS LIGHTING fixture, please make sure that you carefully read through this instruction sheet. Save this instruction sheet and refer to it when additions to or changes in the fixture configuration are made.

Enregistrer cette feuille d'instructions et de s'y référer lorsque les ajouts ou changements dans la configuration de montage sont faites

Consider having your fixture installed by a qualified licensed electrician.

NOTE: The important safeguards and instructions that appear in this manual are not meant to cover all possible conditions and situations that may occur. It must be understood that common sense, caution and care are factors that can't be built into any product. These factors must be supplied by the person(s) caring for and operating the fixture

GENERAL INFORMATION

All electrical connections must be in accordance with all ordinances, Local and National Electrical Codes. These fixtures are intended for mounting to standard 4" x 2 1/2" metal octagon outlet box. The box must be directly supported by the building structure and U.L. Recognized

STEP-BY-STEP INSTRUCTIONS

Before starting your installation disconnect the Power by turning off the Circuit Breaker or by removing the fuse at the fuse box. Just turning the light off at the light switch is not sufficient to prevent electrical shock.

COLLECTION
Artemis

APPLICATION
Wall fixture

MODEL NO.
20422

IMPORTANT SAFETY INSTRUCTION MESURES DE SECURITE A RESPECTURE

Consult a qualified electrician to ensure correct branch circuit conductor.

Consulter un electricien qualifie pour vous assurer que les conducteurs de la derivation sont adequats

This product must be installed in accordance with the applicable installation code by a person familiar with the construction and operation of the product and the hazards involved.

Ce produit doit etre installe selon le code d'installation pertinent, par une personne qui connait bien le produit et son fonctionnement ainsi que les risques inherents

Do not install this fixture in hazardous locations.

N'installez pas cet appareil dans des emplacements dangereux

Do not install fixture assembly closer than 6 inches from any curtain or similar combustible material. Laisser une distance d'au moins 6 pouces entre ce luminaire et la toute surface combustible.

WARNING: Risk of Fire and Electric Shock

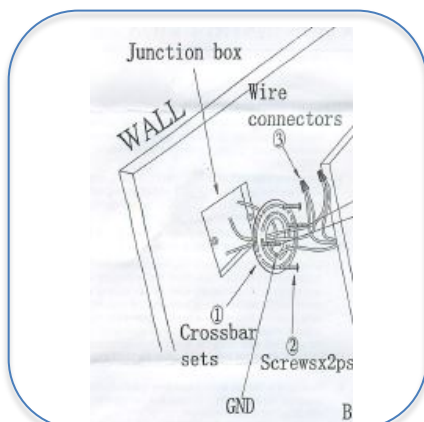
CAUTION: Risque d' Incendie et de Choc Electriques

WHAT WE PROVIDE

- Fixture Assembly
- Mounting Hardware
- Glass Diffuser
- 2 x 60W B10 Bulbs

WHAT YOU NEED

- Phillips Screwdriver
- Wire Cutters
- Wiring Supplies as Specified by the Electrical Code



Back Plate

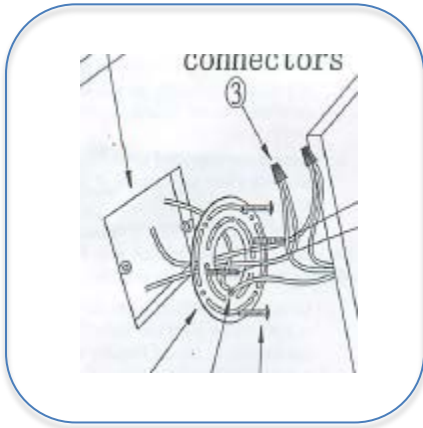
1

PREPARE FIXTURE

If there is an existing fixture remove it.

Expose the supply wires from the outlet box. Attach the mounting plate to the junction box using the screws provided.

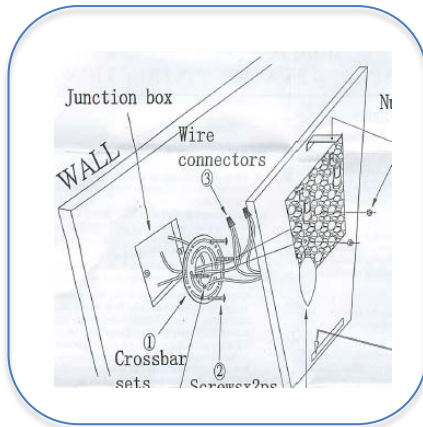
Allow the remaining two screws to project forward for mounting to the back plate.



2

CONNECT THE WIRES

Pull the supply wires through the center hole in the back plate. Connect the black supply wire to the black fixture wire. Secure with the supplied wire nuts. Connect the white supply wires to the fixture wire. Secure with the supplied wire nuts. Either wrap the outlet box grounding (green) wire around the green hexagonal screw provided on the mounting plate or connect it to the supply ground wire provided with the fixture. Secure all wires with U.L Certified electrical tape (not supplied).



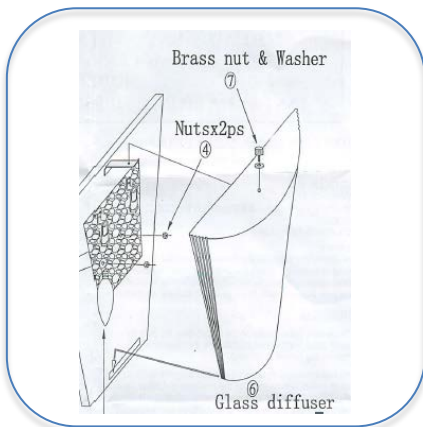
3

MOUNT THE FIXTURE

Position the fixture back plate over the protruding threaded screws from the mounting plate and secure with supplied thumb nuts.

Insert the bulbs into the sockets. (60W max)

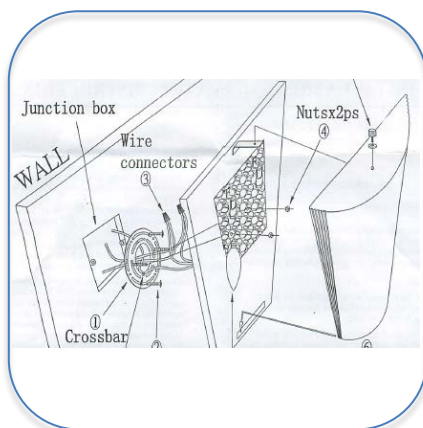
Do not exceed the wattage stated on the warning label.



4

SECURE THE GLASS SHADE

Attach the diffuser to the fixture by fitting the diffuser into the notch located at the bottom of the fixture back plate. Slide the top of the diffuser over the bracket protruding from the fixture back plate. Align the holes and secure the diffuser with the nut and washer provided.



5

RESTORE THE ELECTRICITY AND CHECK THE OPERATION OF YOUR NEW ACCESS LIGHTING FIXTURE

CAUTION

Please ensure that the fitting is cool and switched off before replacing the bulb. DO NOT use bulbs that might exceed the maximum wattage as stated on caution label.