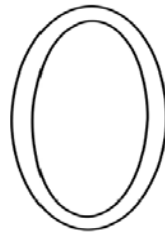


**access**  
LIGHTING

## INSTALLATION INSTRUCTIONS



**COLLECTION**  
Cobalt

**APPLICATION**  
Wall fixture

**MODEL NO.**  
20421

### IMPORTANT

Before assembling your ACCESS LIGHTING fixture, please make sure that you carefully read through this instruction sheet. Save this instruction sheet and refer to it when additions to or changes in the fixture configuration are made.

Enregistrer cette feuille d'instructions et de s'y référer lorsque les ajouts ou changements dans la configuration de montage sont faites

Consider having your fixture installed by a qualified licensed electrician.

**NOTE:** The important safeguards and instructions that appear in this manual are not meant to cover all possible conditions and situations that may occur. It must be understood that common sense, caution and care are factors that can't be built into any product. These factors must be supplied by the person(s) caring for and operating the fixture

### GENERAL INFORMATION

All electrical connections must be in accordance with all ordinances, Local and National Electrical Codes. These fixtures are intended for mounting to standard 4" x 2 1/2" metal octagon outlet box. The box must be directly supported by the building structure and U.L. Recognized

### STEP-BY-STEP INSTRUCTIONS

Before starting your installation disconnect the Power by turning off the Circuit Breaker or by removing the fuse at the fuse box. Just turning the light off at the light switch is not sufficient to prevent electrical shock.

### IMPORTANT SAFETY INSTRUCTION

#### MESURES DE SECURITE A RESPECTURE

Consult a qualified electrician to ensure correct branch circuit conductor.

Consulter un electricien qualifie pour vous assurer que les conducteurs de la derivation sont adequats

This product must be installed in accordance with the applicable installation code by a person familiar with the construction and operation of the product and the hazards involved.

Ce produit doit etre installe selon le code d'installation pertinent, par une personne qui connait bien le produit et son fonctionnement ainsi que les risques inherents

Do not install this fixture in hazardous locations.

N'installez pas cet appareil dans des emplacements dangereux

Do not install fixture assembly closer than 6 inches from any curtain or similar combustible material. Laisser une distance d'au moins 6 pouces entre ce luminaire et la toute surface combustible.

**WARNING:** Risk of Fire and Electric Shock

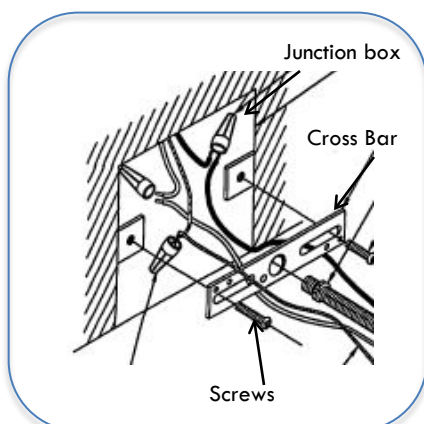
**CAUTION:** Risque d' Incendie et de Choc Electriques

### WHAT WE PROVIDE

- Back Plate
- Fixture
- Mounting Hardware
- 1 x Glass Shade

### WHAT YOU NEED

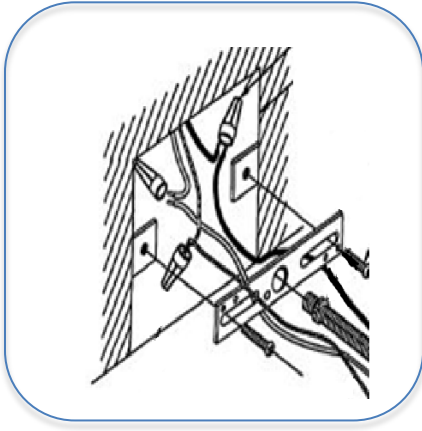
- Star Screwdriver
- Wire Cutters
- Wiring Supplies as Specified by the Electrical Code
- 1 x 60W A19/E-26 Base Bulb



**1**

### PREPARE FIXTURE

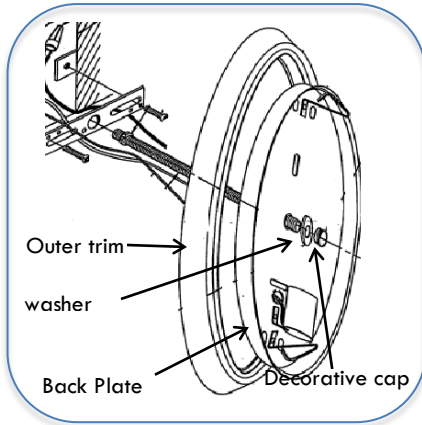
If there is an existing fixture remove it. Expose the supply wires from the outlet box. Mount the supplied crossbar to the J-Box with the supplied screws.



2

**CONNECT THE WIRES**

Pull the supply wires through the center hole in the back plate. Connect the black supply wire to the black fixture wire. Secure with the supplied wire nuts. Connect the white supply wires to the fixture wire. Secure with the supplied wire nuts. Either wrap the outlet box grounding (green) wire around the green hexagonal screw provided on the mounting plate or connect it to the supply ground wire provided with the fixture. Secure all wires with U.L Certified electrical tape (not supplied).

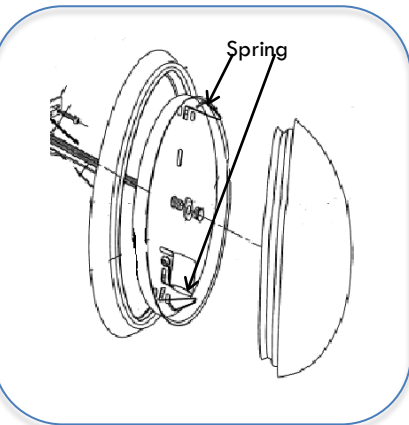


3

**MOUNT THE CANOPY**

Secure the nipple onto the center threaded post of the crossbar and adjust to suitable length. Secure the nipple onto the crossbar with the supplied hexnut. Attach the back plate to the wall first inserting it into the outer trim and ensuring that the nipple passes through its center hole. Secure with the supplied washer and decorative cap. Insert the supplied bulbs into the sockets.

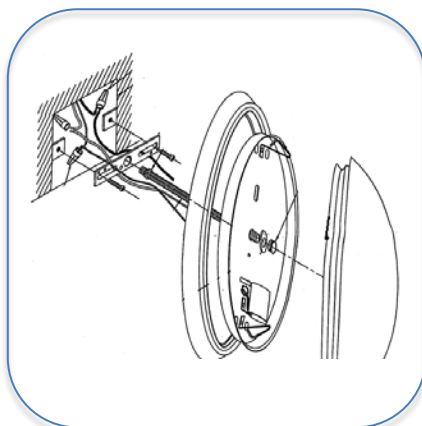
**Do not exceed the wattage stated on the warning label.**



4

**SECURE THE GLASS SHADE**

Use the springs to secure the glass shade to the fixture back plate. Handle the glass with care as it is fragile.



5

**RESTORE THE ELECTRICITY AND CHECK THE OPERATION OF YOUR NEW ACCESS LIGHTING FIXTURE**

**CAUTION**

Please ensure that the fitting is cool and switched off before replacing the bulb. DO NOT use bulbs that might exceed the maximum wattage as stated on caution label.