



INSTALLATION INSTRUCTIONS

IMPORTANT

Before assembling your **ACCESS LIGHTING** fixture, please make sure that you carefully read through these instruction sheets. Consider having your fixture installed by a qualified licensed electrician.

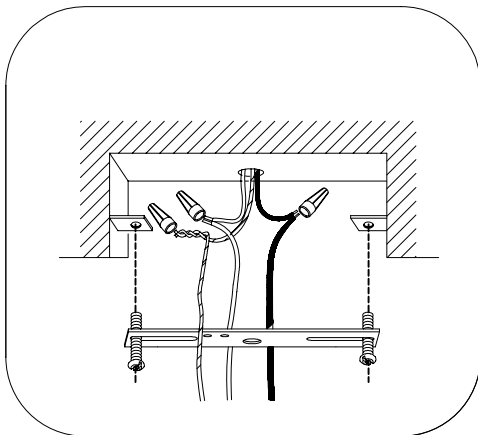
NOTE: The important safeguards and instructions that appear in this manual are not meant to cover all possible conditions and situations that may occur. It must be understood that common sense, caution and care, are factors that can't be built into any product. These factors must be supplied by the person(s) caring for and operating the fixture.

GENERAL INFORMATION

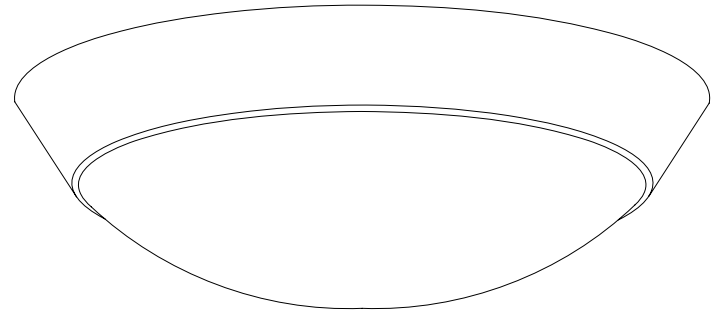
All electrical connections must be in accordance with all ordinances, Local and National Electrical Codes. These fixtures are intended for mounting to a standard 4" x 2 1/2" metal octagon outlet box. The box must be directly supported by the building structure and U.L. Recognized.

STEP BY STEP INSTRUCTIONS

Before starting your installation disconnect the Power by turning off the Circuit Breaker or by removing the fuse at the fuse box. Just turning the light off at the light switch is not sufficient to prevent electrical shock.



1



COLLECTION	APPLICATION	MODEL NO.
COBALT	Ceiling Fixture	20065LEDD

WHAT WE PROVIDE

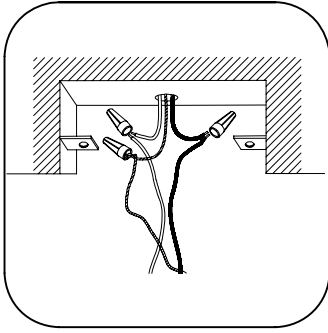
- Crossbar
- Mounting Hardware
- Ceiling Pan
- 1 x Glass Shade
- 16W LED

WHAT YOU NEED

- Screwdriver
- Wire Cutters
- Wiring Supplies as Specified by Electrical Code

MOUNT CROSSBAR

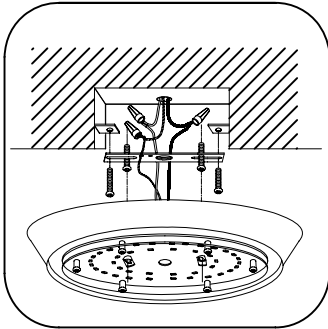
If there is an existing fixture remove it. Expose the supply wires from the j-box. Mount the supplied crossbar to the J-Box.



2

CONNECT THE WIRES

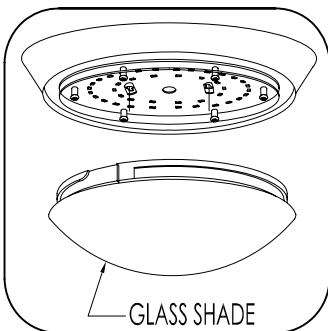
Gently pull the supply wires. Connect the black fixture wire to the black supply wire and the white fixture wire to the white supply wire. Connect the fixture ground wire to the ground wire from the J-Box. Secure all connections with the supplied wire connectors and U.L. listed electrical tape (not supplied). Tuck all wires carefully into the J-Box.



3

MOUNT THE CEILING PAN

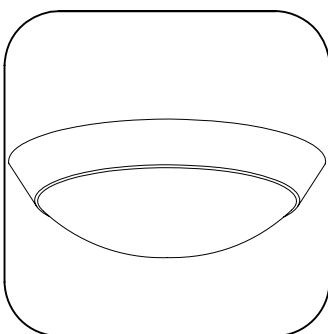
Insert the supplied long screws into the screw holes located on the crossbar, align the keyholes on the ceiling pan, secure the ceiling pan against ceiling.



4

ATTACH THE GLASS SHADE

Put neck of the glass shade in place by inserting dimples located in the fixture, revolve the glass shade until it can not be revolved any more. When taking off the glass shade, revolve it by opposite direction.



5

**RESTORE THE ELECTRICITY AND CHECK THE
OPERATION OF YOUR NEW ACCESS LIGHTING FIXTURE**