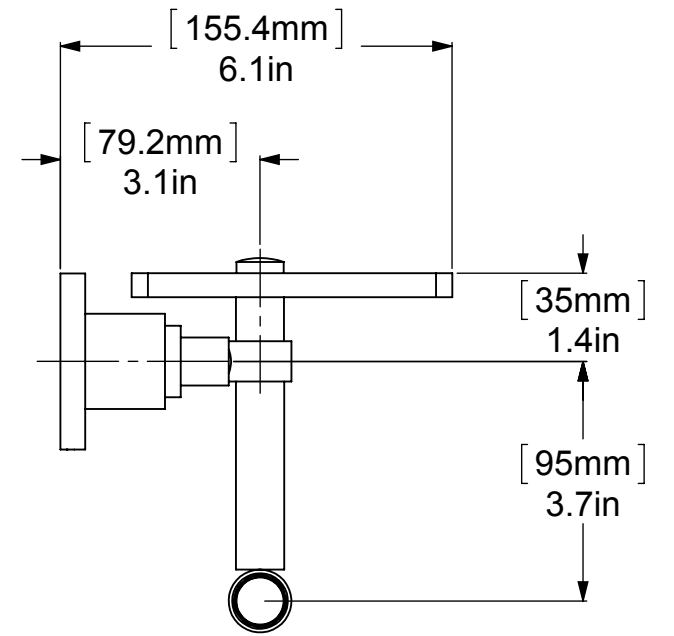
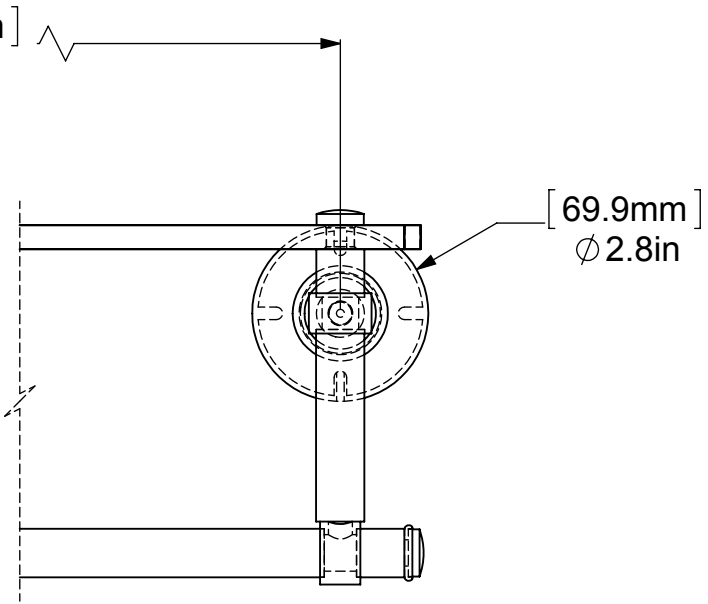
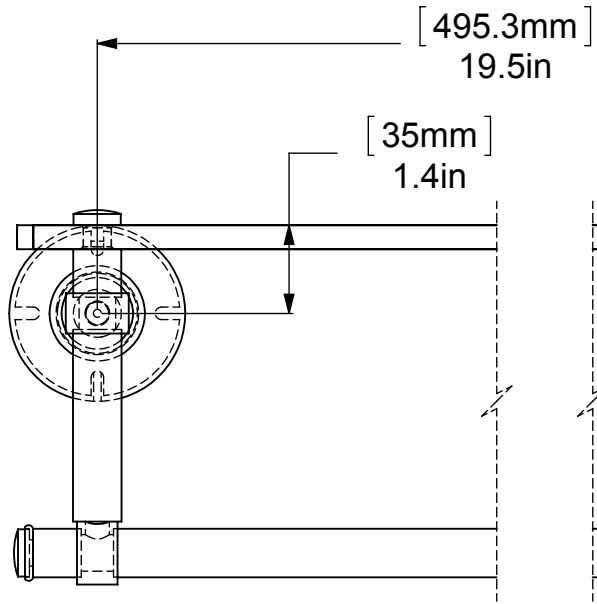


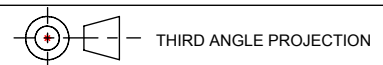
ITEM NO.	PART NUMBER	DESCRIPTION	QTY.
1	BPRD	Base	2
2	WASP	NECK	2
3	HBIT-1	Hub	4
4	CARD-34	END CAP	4
5	IRWRT-22	WOOD SHELF	1
6	TU34-.75	END TUBE	6
7	TU34-3	LEG	2
8	CRRD-34	RING	2
9	TU34-19	LONG TUBE	1



UNLESS OTHERWISE STATED

.X	±.3mm
.XX	±.15mm
.XXX	±.008mm

COPYRIGHT © Allied Brass 2016



DRAWN	1/15/2017	I.M
CHECKED	1/15/2017	P.D
APPROVED	1/15/2017	R.A

MATERIAL:	BRASS
DESCRIPTION:	SHELF WITH TOWEL BAR



FINISH	TBD
QUANTITY	TBD
DRAWING No.	WS-1TB22-IRW
REV	0
SCALE	1:3
SHEET: 01	A4