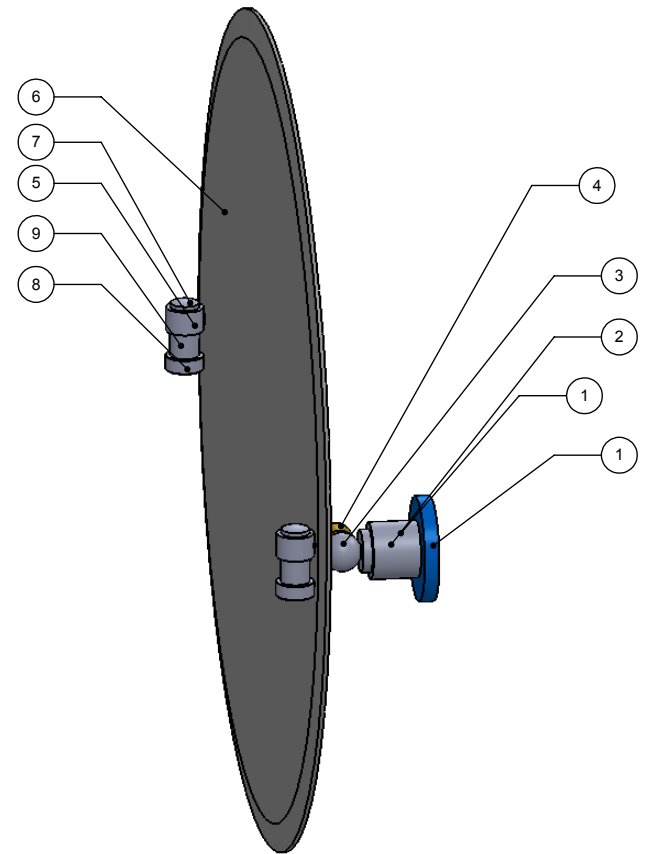
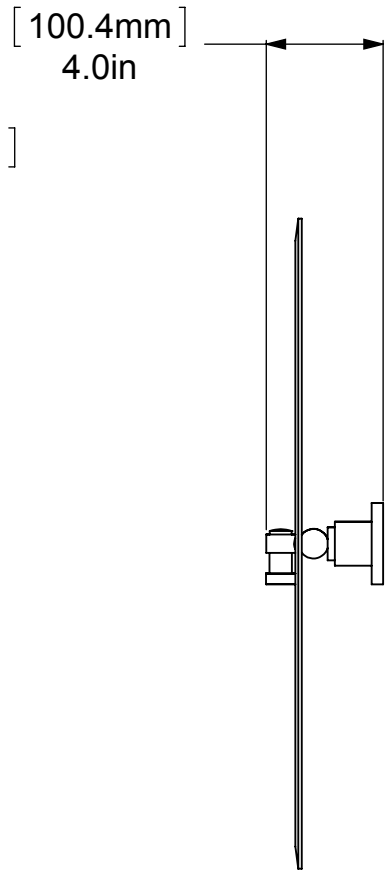
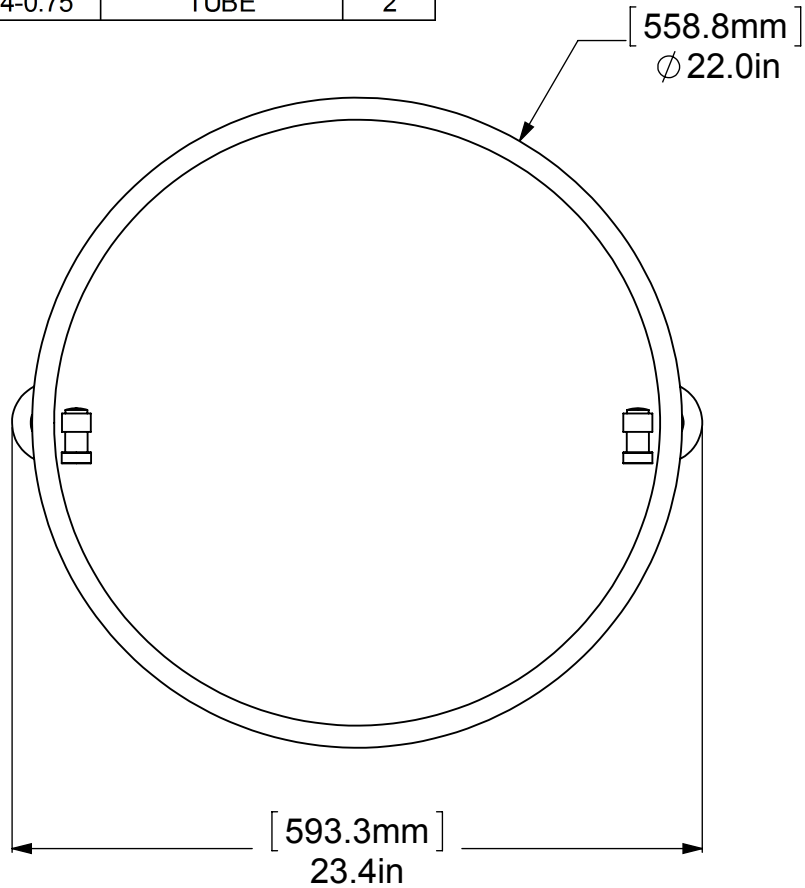


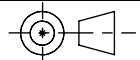
1	BPDSR	BACKPLATE	2
2	WASP	SUPPORT	2
3	BL2T-1	BALL SUPPORT	2
4	HBTT-78	TILT	2
5	HB1T-1	HUB	2
6	MRRT-94	MIRROR	1
7	CARD-34	CAP 0.75	2
8	CARD-1	CAP 1	2
9	TU34-0.75	TUBE	2



UNLESS OTHERWISE STATED

.X	$\pm .3\text{mm}$
.XX	$\pm .15\text{mm}$
.XXX	$\pm .008\text{mm}$

COPYRIGHT © Allied Brass 2016



THIRD ANGLE PROJECTION

DRAWN	2/19/2016	I.M
CHECKED	2/19/2016	P.D
APPROVED	2/19/2016	R.A

MATERIAL:	BRASS	
DESCRIPTION:	MIRROR	

FINISH	TBD		
QUANTITY	TBD		
DRAWING No.		REV	
WS-90		0	
SCALE	1:6.5	SHEET: 01	A4