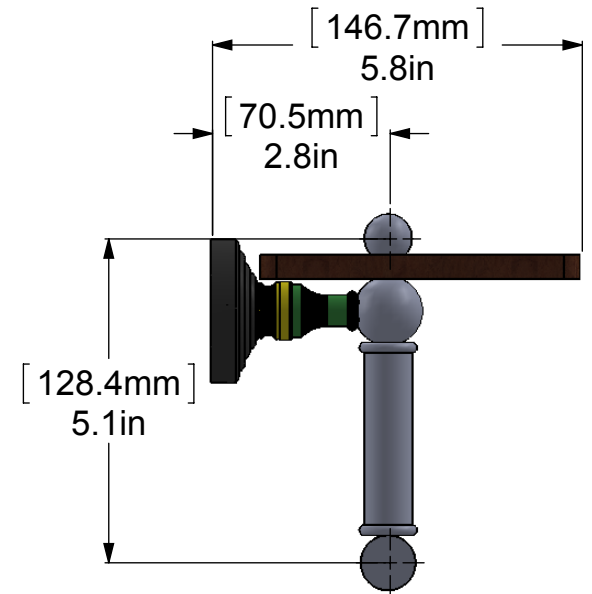
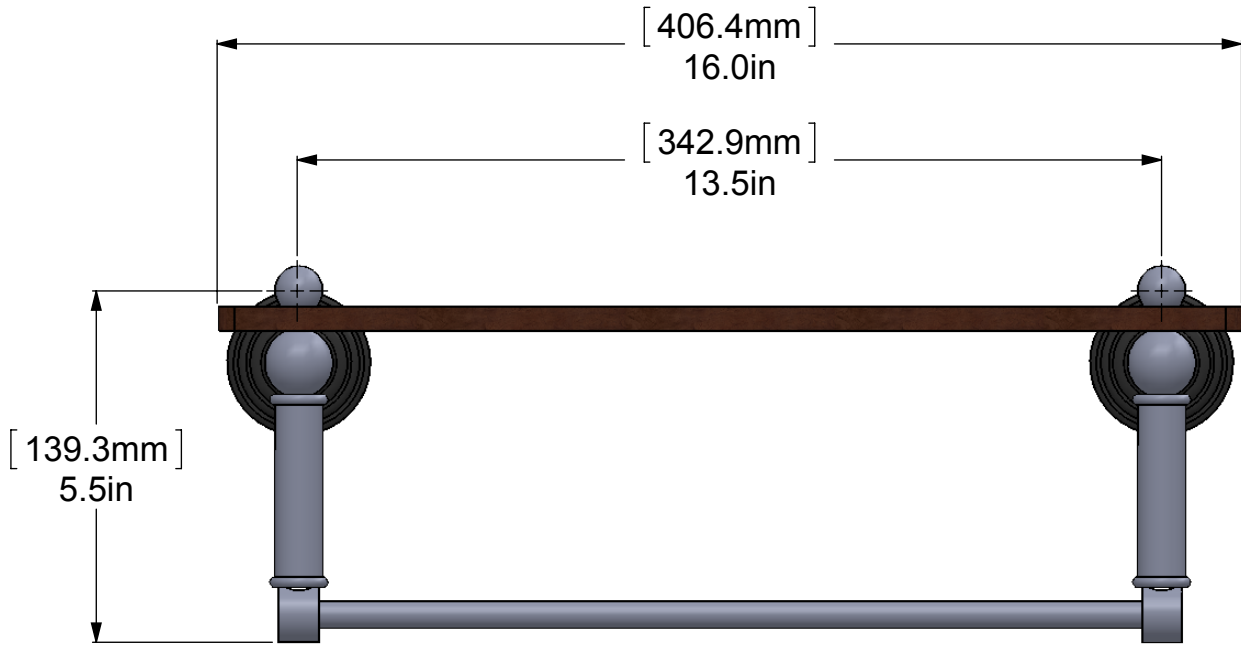
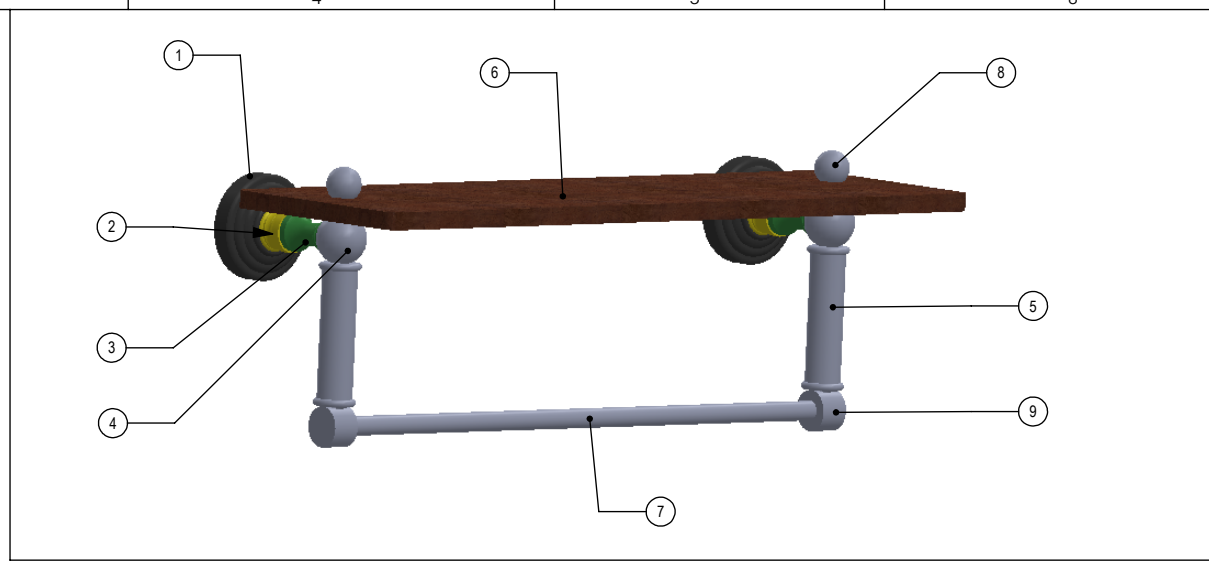


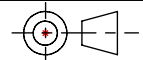
| ITEM NO. | P/N       | DESCRIPTION    | QTY. |
|----------|-----------|----------------|------|
| 1        | BPWV      | BASE           | 2    |
| 2        | NKSL-58   | Support        | 2    |
| 3        | HB1T-1    | HUB            | 2    |
| 4        | MA-FT     | BALL           | 2    |
| 5        | TU12-3    | TUBE VERTICAL  | 2    |
| 6        | IRWRT-16  | IPE WOOD SHELF | 1    |
| 7        | TU38-12.9 | Connector      | 1    |
| 8        | BL1T-34   | Top Ball       | 2    |
| 9        | HBBTT-78  | END CAP        | 2    |



UNLESS OTHERWISE STATED

|      |         |
|------|---------|
| .X   | ±.3mm   |
| .XX  | ±.15mm  |
| .XXX | ±.008mm |

COPYRIGHT © Allied Brass 2017



THIRD ANGLE PROJECTION

|          |          |     |
|----------|----------|-----|
| DRAWN    | 5/5/2017 | I.M |
| CHECKED  | 5/5/2017 | P.D |
| APPROVED | 5/5/2017 | R.A |

|  |           |                           |
|--|-----------|---------------------------|
| MATERIAL: BRASS  |           | FINISH: TBD               |
| DESCRIPTION: Waverly Place Collection Solid IPE Ironwood Shelf with Integrated Towel Bar |           | QUANTITY: TBD             |
|     |           | DRAWING No. WP-1-16TB-IRW |
|  |           | REV: 0                    |
| SCALE: 1:3   | SHEET: 01 | A4                        |