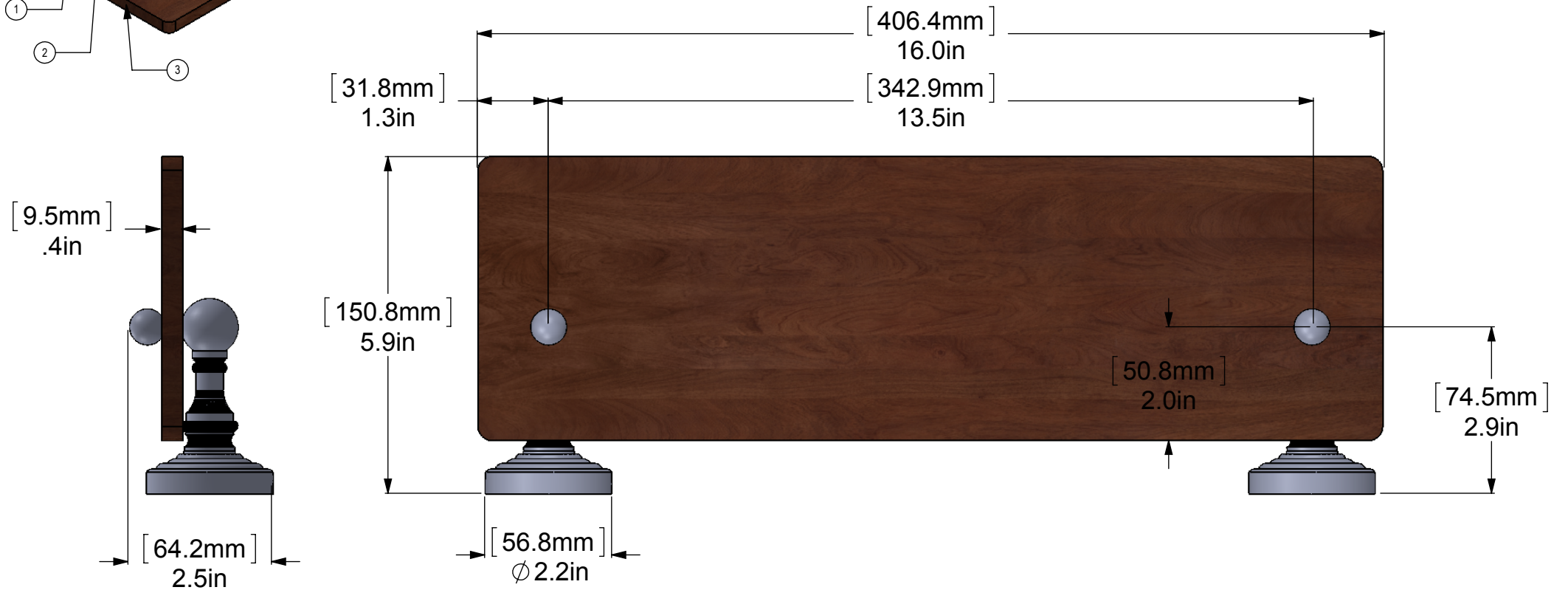
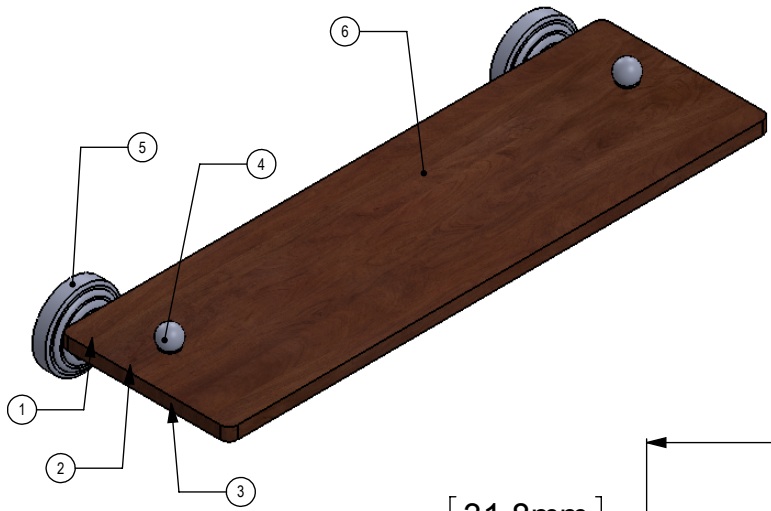


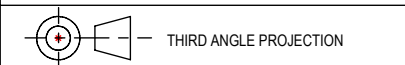
| ITEM NO. | P/N       | DESCRIPTION  | QTY. |
|----------|-----------|--------------|------|
| 1        | NKSL-58   | Support      | 2    |
| 2        | NKSL-1.25 | Neck         | 2    |
| 3        | BL2T-1    | Support Ball | 2    |
| 4        | BL1T-34   | Top Ball     | 2    |
| 5        | BPWV      | Base         | 2    |
| 6        | IRWRT-16  | WOOD SHELF   | 1    |



UNLESS OTHERWISE STATED

|      |         |
|------|---------|
| .X   | ±.3mm   |
| .XX  | ±.15mm  |
| .XXX | ±.008mm |

COPYRIGHT © Allied Brass 2016



|          |            |     |
|----------|------------|-----|
| DRAWN    | 12/18/2016 | I.M |
| CHECKED  | 12/18/2016 | P.D |
| APPROVED | 12/18/2016 | R.A |

|                 |       |                         |     |
|-----------------|-------|-------------------------|-----|
| MATERIAL: BRASS |       | FINISH                  | TBD |
| DESCRIPTION:    |       | QUANTITY                | TBD |
| WOOD SHELF      |       | DRAWING No. WP-1-16-IRW |     |
|                 |       | REV                     | 0   |
| SCALE           | 1:2.5 | SHEET: 01               | A4  |