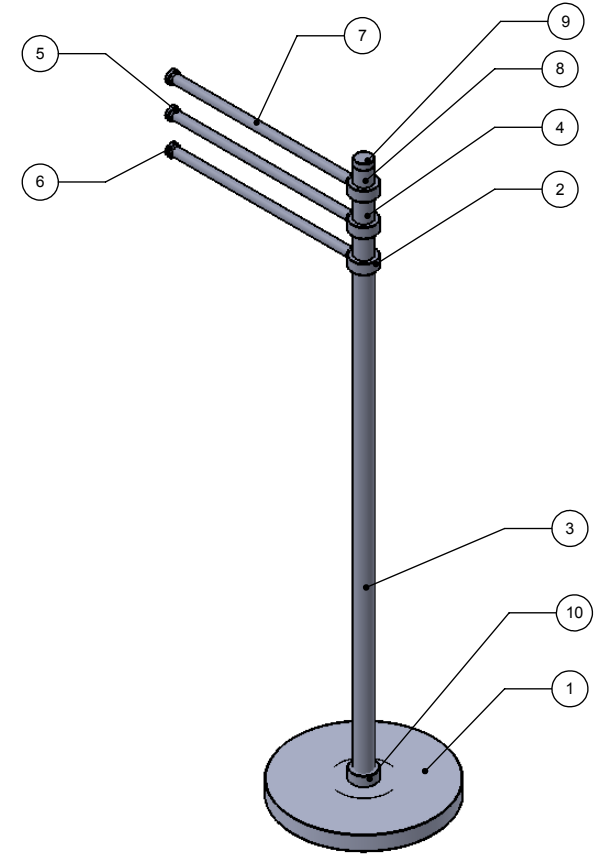


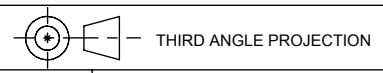
ITEM NO.	P/N	DESCRIPTION	QTY.
1	BSRD-9.25	BASE	1
2	RGSMT	HUB	3
3	TU1-32.5	TUBE	1
4	TU1-1.5	TUBE -CN	2
5	CRRD-12	CHECKING RING	6
6	CARD-34	END CAP	3
7	TU12-12	ARM TUBE	3
8	TU1-1	TUBE TOP	1
9	CARD-1	END LOCK	1
10	RGSM	HUB-BOT	1



UNLESS OTHERWISE STATED

.X	±.3mm
.XX	±.15mm
.XXX	±.008mm

COPYRIGHT © Allied Brass 2016



DRAWN	3/22/2016	I.M
CHECKED	3/22/2016	P.D
APPROVED	3/22/2016	R.A

MATERIAL:	BRASS		FINISH	TBD
DESCRIPTION:	Free Standing Accessories		QUANTITY	TBD
			DRAWING No.	REV
			TS-45	0
SCALE	1:7	SHEET: 01	A4	