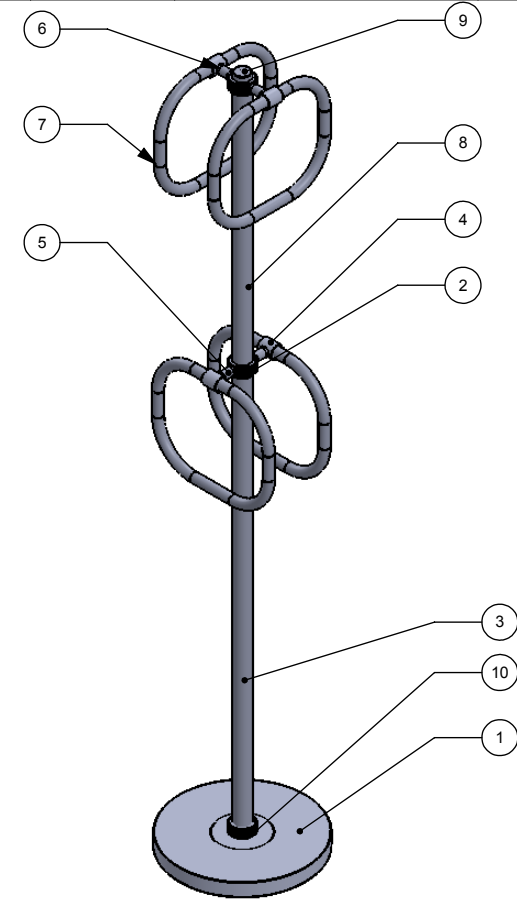
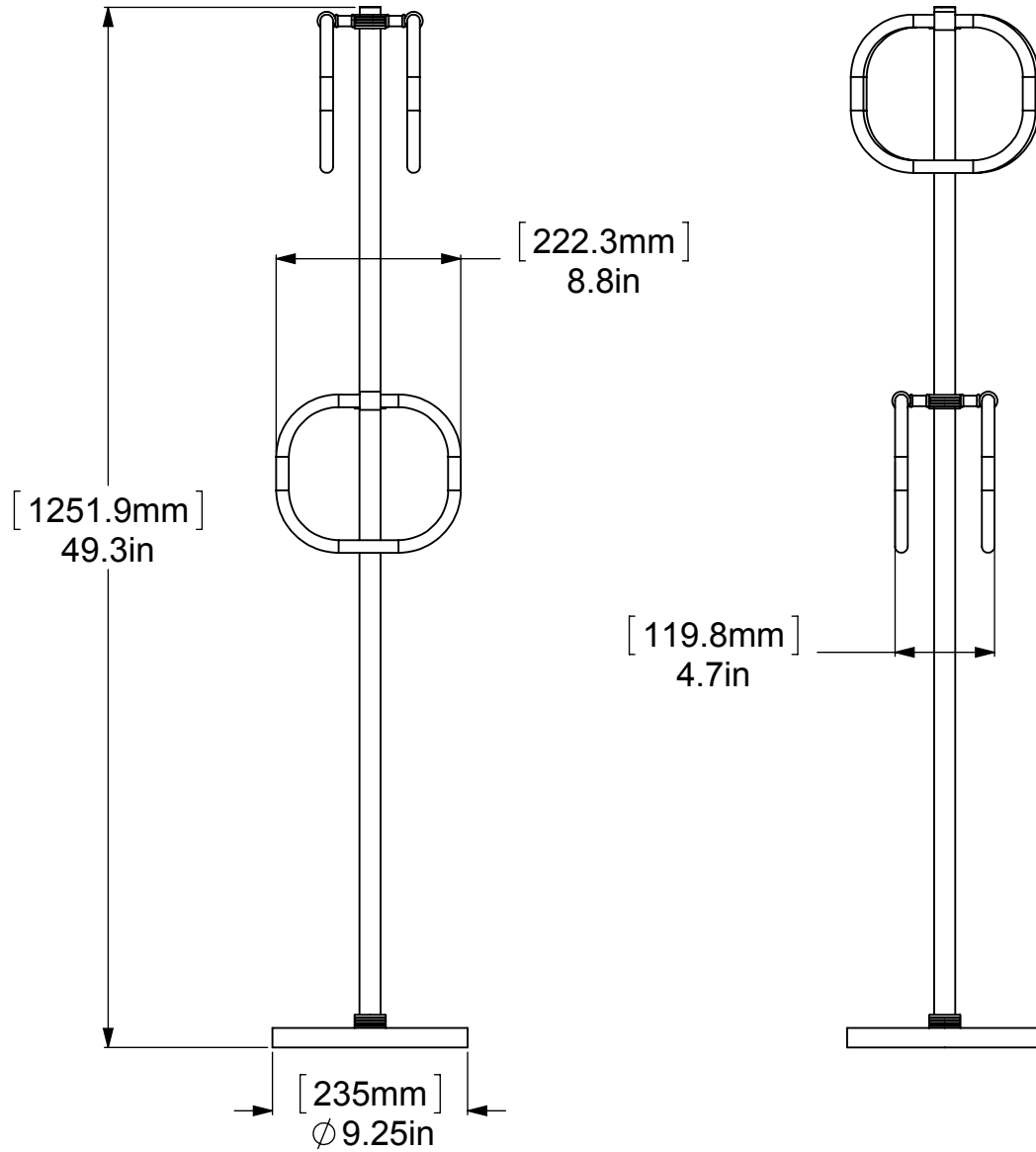


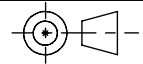
ITEM NO.	P/N	DESCRIPTION	QTY.
1	BSRD-9.25	BASE	1
2	RGVVL	HUB	2
3	TU1-30	TUBE -BOTTOM	1
4	HBOVR	CONNECTOR	4
5	TU12-1	TUBE END	4
6	CRRD-12	CHECKING RING	8
7	HROV	END LOOP	4
8	TU1-18	TUBE TOP	1
9	CARD-1	END LOCK	1
10	RGGV	HUB BOTTOM	1



UNLESS OTHERWISE STATED

.X	±.3mm
.XX	±.15mm
.XXX	±.008mm

COPYRIGHT © Allied Brass 2016



THIRD ANGLE PROJECTION

DRAWN	3/22/2016	I.M
CHECKED	3/22/2016	P.D
APPROVED	3/22/2016	R.A

MATERIAL: BRASS

DESCRIPTION:

Free Standing Accessories



FINISH: TBD

QUANTITY: TBD

DRAWING No.

TS-40G

REV

0

SCALE: 1:9 SHEET: 01 A4