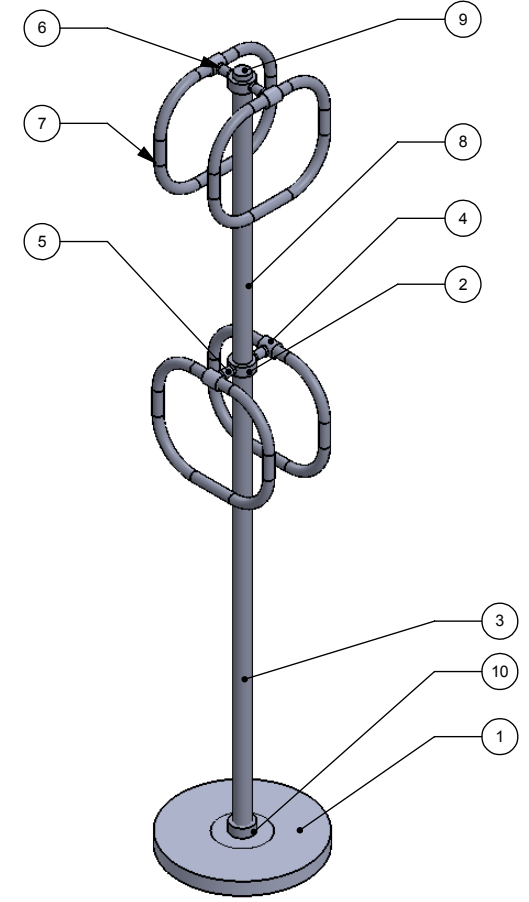
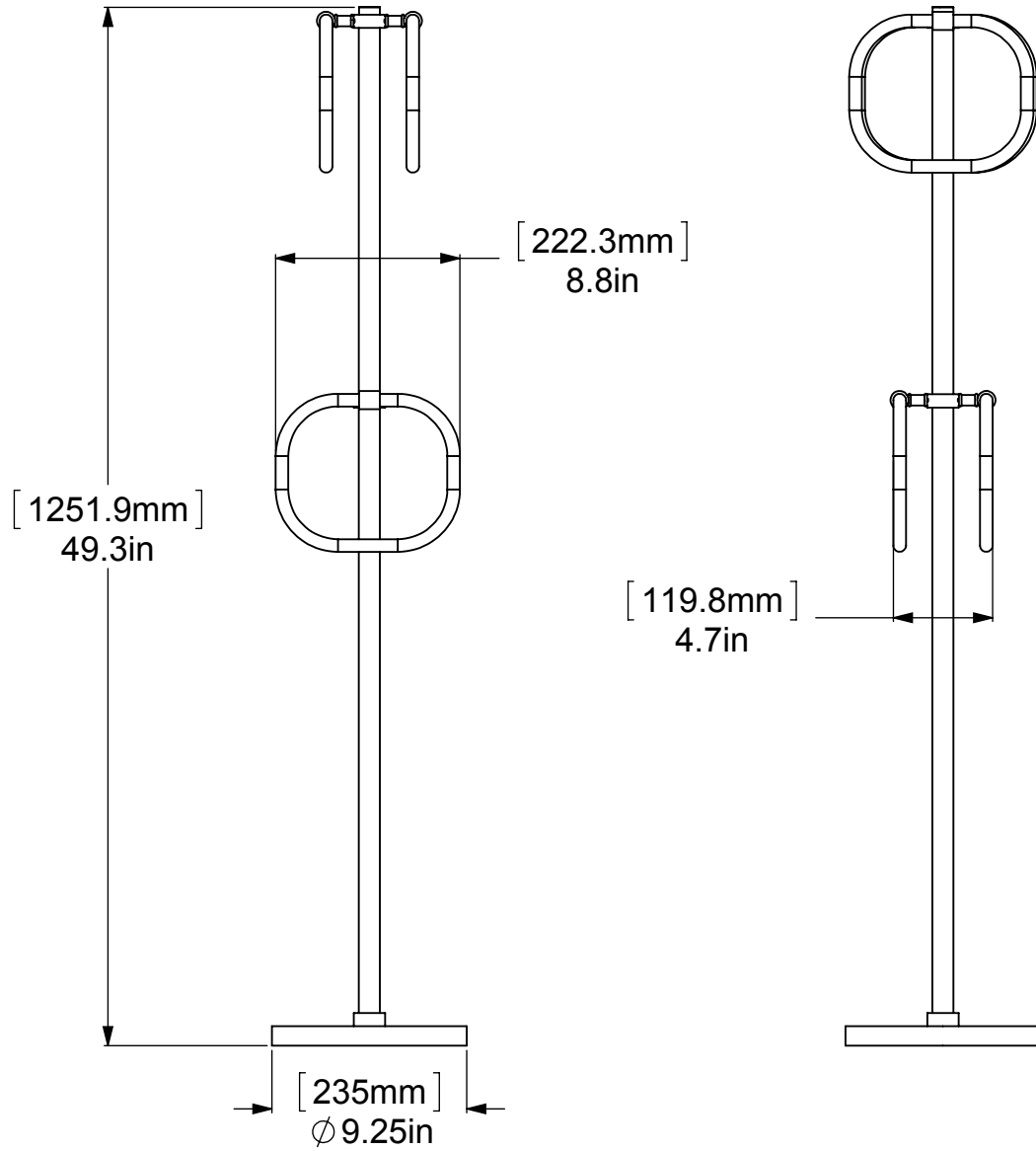


ITEM NO.	P/N	DESCRIPTION	QTY.
1	BSRD-9.25	BASE	1
2	RGSML	HUB	2
3	TU1-30	TUBE -BOTTOM	1
4	HBOVR	CONNECTOR	4
5	TU12-1	TUBE END	4
6	CRRD-12	CHECKING RING	8
7	HROV	END LOOP	4
8	TU1-18	TUBE TOP	1
9	CARD-1	END LOCK	1
10	RGSM	HUB BOTTOM	1



UNLESS OTHERWISE STATED	
.X	±.3mm
.XX	±.15mm
.XXX	±.008mm

COPYRIGHT © Allied Brass 2016

THIRD ANGLE PROJECTION

DRAWN	3/22/2016	I.M
CHECKED	3/22/2016	P.D
APPROVED	3/22/2016	R.A

MATERIAL:	BRASS		FINISH	TBD
DESCRIPTION:	Free Standing Accessories		QUANTITY	TBD
			DRAWING No.	REV
			TS-40	0
SCALE	1:9	SHEET: 01	A4	